

AU000021

Leakage detection • Attachments - Sound reducers

accessories ultrasonic, Ultrasonic cone, Plastic



The shotgun microphone with tip is used to find extremely small leaks and then to precisely pinpoint them. The software integrated in the UY000001 uses the amount of escaping air to automatically calculate the costs caused by the leak. Optional accessories make operation and handling easier.

Mechanical features

Housing material	Plastic
------------------	---------

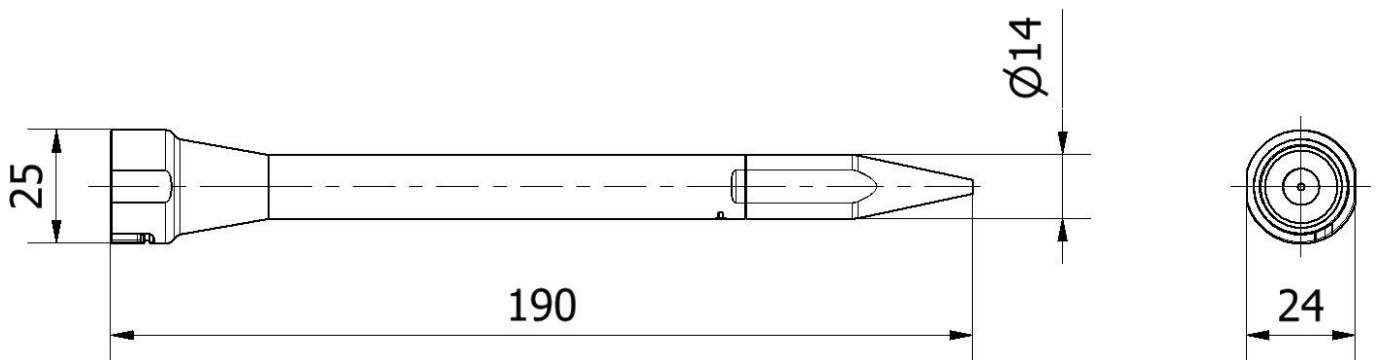
Classification

ETIM 8	EC002024 Accessories/spare parts for command devices
--------	--

More

IPF Product Group	725 compressed air and leakage measurement
packaging dimensions	220 x 150 x 25 mm
gross weight	23 g
Customs tariff number	39269097
WEEE number	40951076
Reach-compliant	Yes
RoHS-compliant	Yes

Dimensional drawing



**Installation**

Mounting / installation may only be carried out by a qualified electrician!

**Disposal**

WEEE number according to § 6 para. 3
ElektroG: 40951076

Safety warnings

- / Before initial operation, please make sure to follow all safety instructions that may be provided in the product information.
- / Never use these devices in applications where the safety of a person depends on their functionality.