

AU000028

Accessories • Deflection bracket

accessories ultrasonic, Deflection bracket, 25x60mm, Deflection bracket, Stainless steel, 90°



Mechanical features

Width	25 mm
Diameter of screw-on mounting	5.5
Height	60 mm
Mounting method	Screw mounting
Material	Stainless steel
Angle	90 °

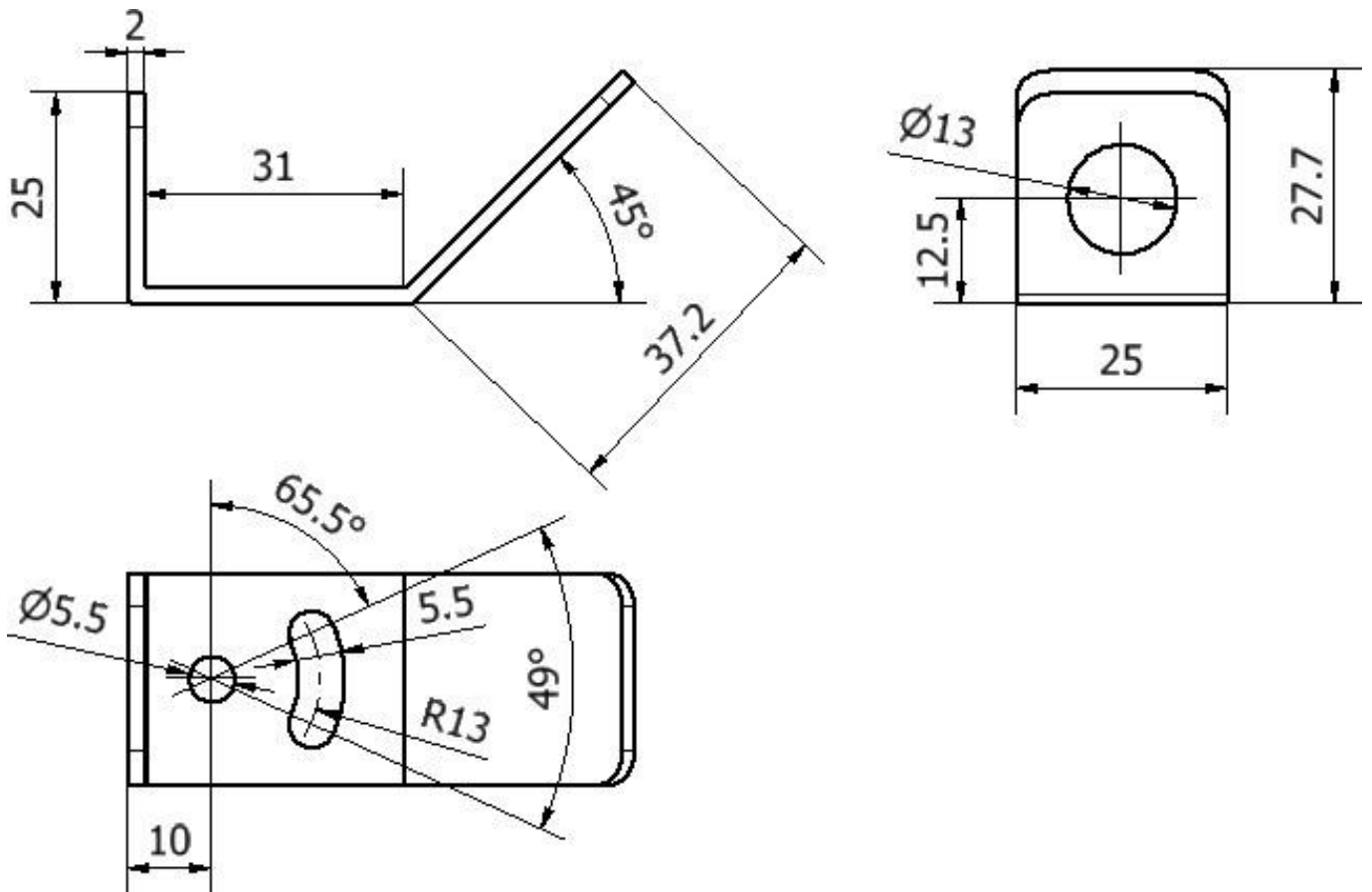
Classification

ETIM 8	EC002625 Mounting accessories (control cabinet)
--------	---

More

IPF Product Group	900 accessories
packaging dimensions	150 x 100 x 25 mm
gross weight	34 g
Customs tariff number	73269098
WEEE number	40951076
Reach-compliant	Yes
RoHS-compliant	Yes

Dimensional drawing



Installation

Mounting / installation may only be carried out by a qualified electrician!



Disposal

WEEE number according to § 6 para. 3
ElektroG: 40951076

Safety warnings

/ Before initial operation, please make sure to follow all safety instructions that may be provided in the product information.

/ Never use these devices in applications where the safety of a person depends on their functionality.