

AV000034

Accessories • measuring wheel

accessories miscellaneous, Measuring wheel, 12mm wide, Plastic



Mechanical features

Tightening torque	1.5 Nm
Width	12 mm
Diameter	64 mm
Shaft diameter A	6 mm
Surface	ribbed
Material	Plastic
Material of the coating	Plastic (TPE-E)

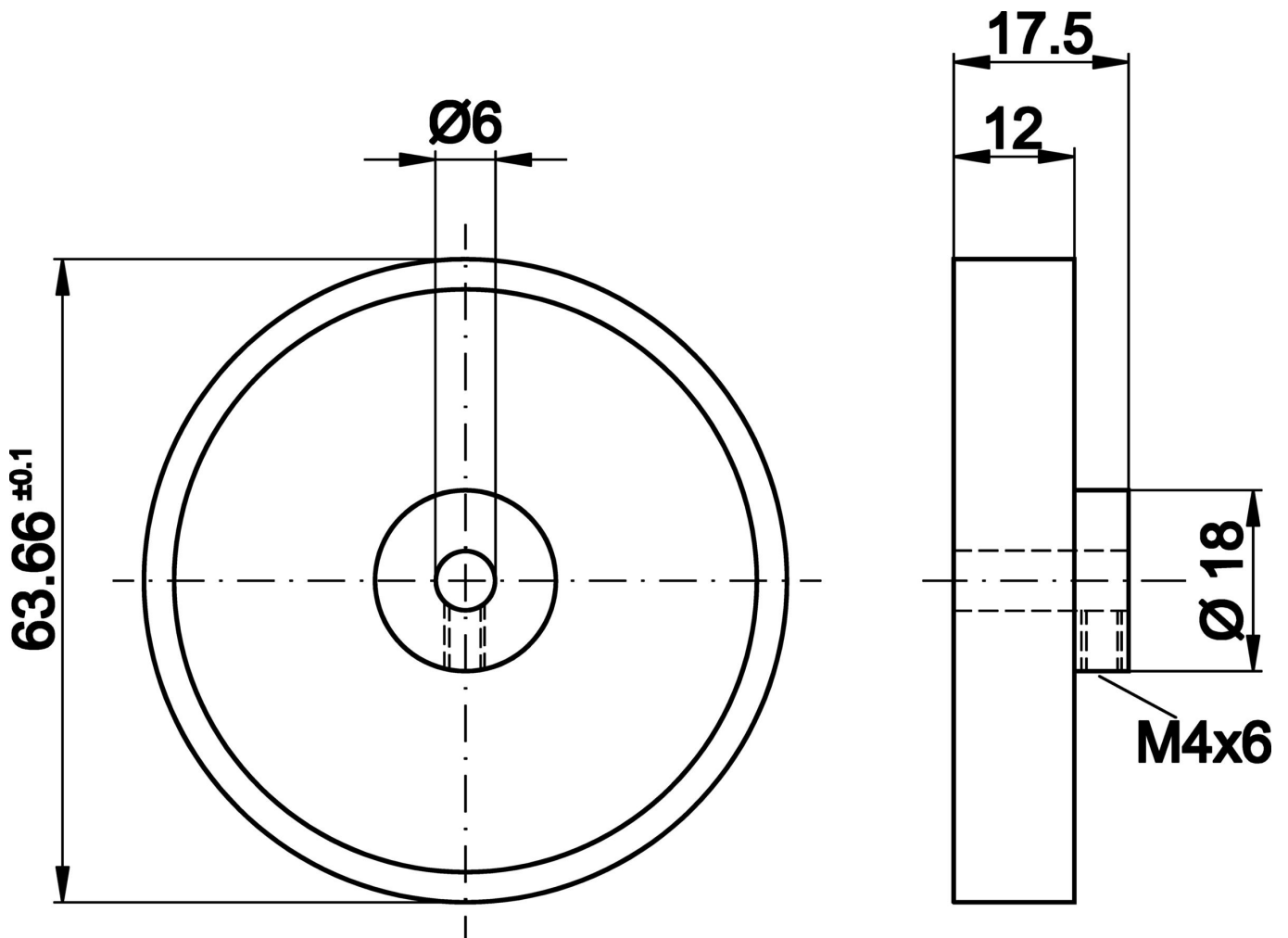
Classification

ETIM 8	EC002024 Accessories/spare parts for command devices
--------	------------------------------------------------------

More

IPF Product Group	900 accessories
packaging dimensions	175 x 100 x 12 mm
gross weight	40 g
Customs tariff number	39269097
WEEE number	40951076
OzDS-compliant	Yes
POP-compliant	Yes
Reach-compliant	Yes
RoHS-compliant	Yes

Dimensional drawing



Installation

Mounting / installation may only be carried out by a qualified electrician!



Disposal

WEEE number according to § 6 para. 3
ElektroG: 40951076

Safety warnings

/ Before initial operation, please make sure to follow all safety instructions that may be provided in the product information.

/ Never use these devices in applications where the safety of a person depends on their functionality.