

## AV000110

### Accessories • Surface mount housing

accessories miscellaneous, Surface mounted housing, 152x250x175mm, -40-120°C, IP66, Plastic PC, Gray, Transparent, With cable entry

**IPF**

#### Mechanical features

Width	175 mm
Height	152 mm
Cable entry	Plastic screw fitting
Length	250 mm
Mounting method	Surface mounted (plaster)
Degree of protection (IP)	IP66
Material	Plastic PC
Ambient temperature	-40 - 120 °C

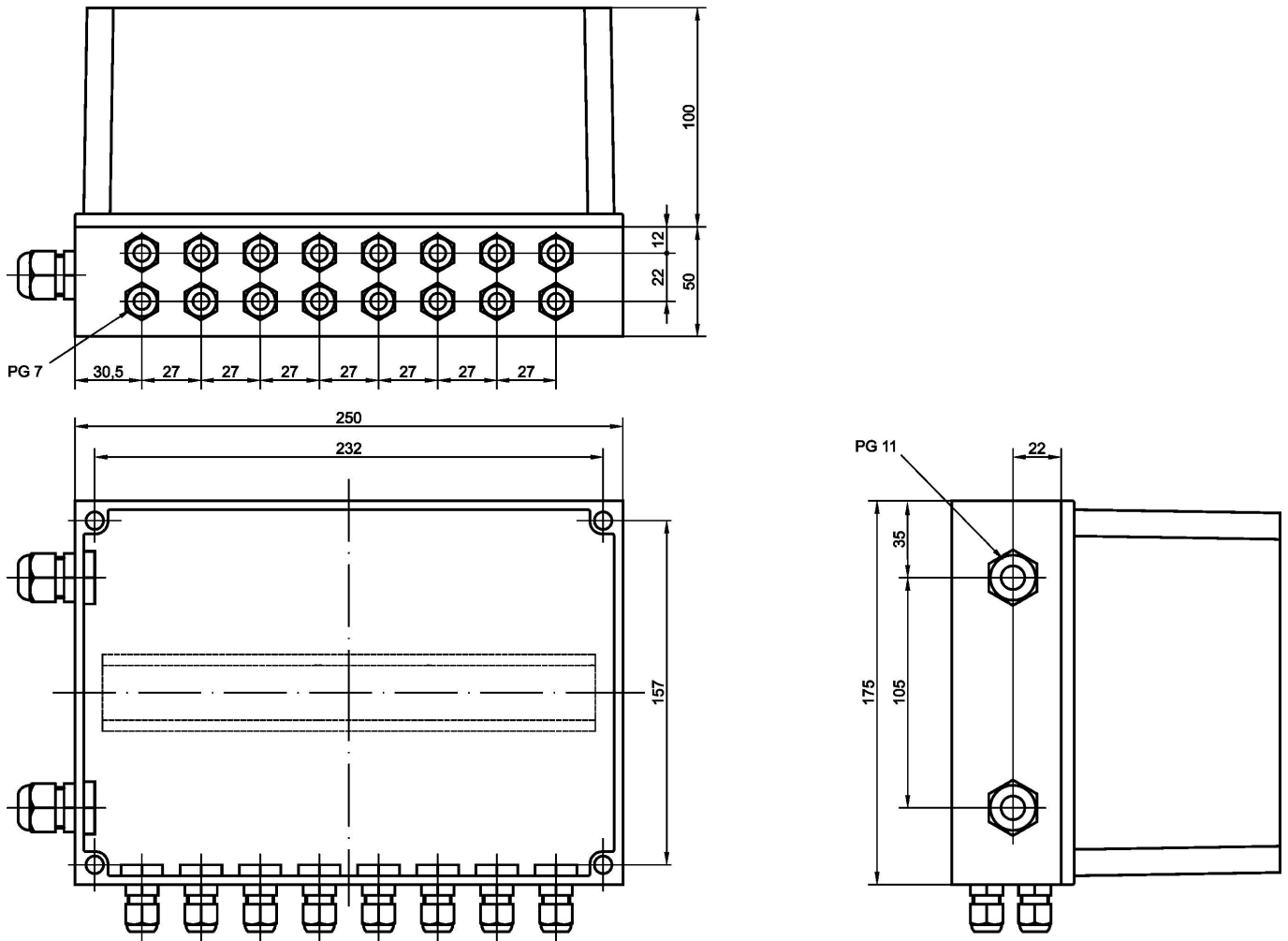
#### Classification

ETIM 8	EC000080 Surface mount housing
--------	--------------------------------

#### More

IPF Product Group	900 accessories
packaging dimensions	300 x 220 x 170 mm
gross weight	950 g
Customs tariff number	85389099
WEEE number	40951076
Reach-compliant	Yes
RoHS-compliant	Yes

**Dimensional drawing**



**Installation**

Mounting / installation may only be carried out by a qualified electrician!



**Disposal**

WEEE number according to § 6 para. 3  
ElektroG: 40951076

**Safety warnings**

- / Before initial operation, please make sure to follow all safety instructions that may be provided in the product information.
- / Never use these devices in applications where the safety of a person depends on their functionality.