

## AV000114

### Connection technology • Teach adapter

accessories, Teach adapter, M12 Female (socket) 4pin Straight, M12 Male (connector) 4pin Straight Black



ipf cable sockets are used primarily for establishing the electrical connection of sensors. Their features are characterized by rugged design, the highest protection classes (IP67 | IP68 | IP69K) and, if desired, with 360° shielding. With the features: bus-ready, suitable for use with drag chains and robots, resistance to oil and chemicals, resistance to welding sparks, their resistance to cleaning agents or high-pressure and steam-jet cleaning, the expanded temperature range of up to +230°C, the rapid interconnection technology and special data transmission properties, the cable sockets meet all requirements in automation technology.

#### Electrical features

Type of plug-in contact, A connection	Female (socket)
Type of plug-in contact, B connection	Male (connector)
Type of A electrical connection	M12
Type of B electrical connection	M12
Number of pins of A connection	4
Number of pins of B connection	4
switching contact	2

#### Mechanical features

Cable infeed of A connection	straight
Cable infeed of B connection	straight
Suitable for trailing chain	Yes

#### Other features

Flame retardant	No
-----------------	----

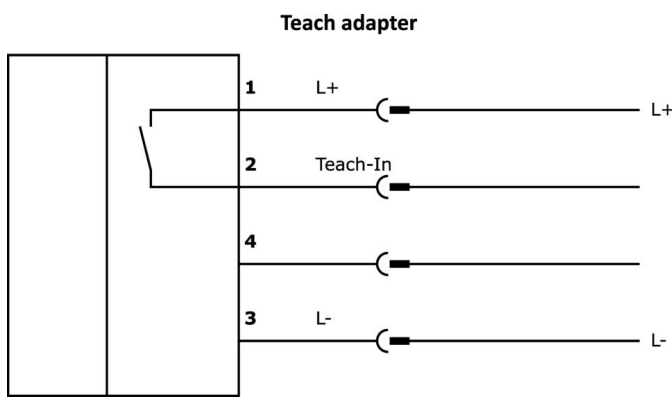
#### Classification

ETIM 8	EC001855 Assembled sensor-actuator cable
--------	--

**More**

IPF Product Group	900 accessories
packaging dimensions	175 x 100 x 17 mm
gross weight	30 g
Customs tariff number	85365005
WEEE number	40951076
OzDS-compliant	Yes
POP-compliant	Yes
Reach-compliant	Yes
RoHS-compliant	Yes

**Connection**



**Extract accessories program**

**VK003020**



Cable socket, angular, self-assembly, screw connection, Ø3-6. 5mm, 4A, 240V, -25-90°C, M12 socket 4-pin, IP67, PBT

**VK003024**



Cable socket, Straight, Suitable for self-assembly, Screw connection, Ø3-6.5mm, 4A, 240V, -25-90°C, M12 Female (socket) 4pin, IP67, PBT

**VK000037**



Adaption, M12 Female (socket) 3pin Straight, M8 Male (connector) 3pin Straight, 24V, -25-85°C, IP67, Oil and cooling lubricants, Welding area

**VK200021**



Connection cable, 2m, M12 Female (socket) 3pin Angular, Free conductor end, 3x0.34mm<sup>2</sup>, PUR (Polyurethane), Ø4.3mm, 250V, -30-90°C, IP67, Suitable for trailing chain and torsion resistant, Oil and cooling lubricants, Welding area, Silicone-free

**VK200025**



Connection cable, 2m, M12 Female (socket) 3pin Straight, Free conductor end, 3x0.34mm<sup>2</sup>, PUR (Polyurethane), Ø4.3mm, 250V, -30-90°C, IP67, Suitable for trailing chain and torsion resistant, Oil and cooling lubricants, Welding area, Silicone-free

**VK003021**



Cable socket, Angular, Suitable for self-assembly, Screw connection, Ø3-6.5mm, 4A, 60V, -25-90°C, M12 Female (socket) 5pin, IP67, PBT

**VK003025**



Cable socket, Straight, Suitable for self-assembly, Screw connection, Ø3-6.5mm, 4A, 60V, -25-90°C, M12 Female (socket) 5pin, IP67, PBT

You can find further accessories on our homepage

**Installation**

Mounting / installation may only be carried out by a qualified electrician!

**Disposal**

WEEE number according to § 6 para. 3  
ElektroG: 40951076

**Safety warnings**

- / Before initial operation, please make sure to follow all safety instructions that may be provided in the product information.
- / Never use these devices in applications where the safety of a person depends on their functionality.