

# AV000135

## Accessories • Labeling

Labeling material, Label, 2,6x20x9mm, Plastic,



Accessories for M12 distribution terminals, contains 10 label plates and 2 blank plugs

### Mechanical features

Width	9 mm
Height	2.6 mm
Length	20 mm
Material	Plastic

### Other features

Package contents	10 identification labels, 2 screw plugs
------------------	---

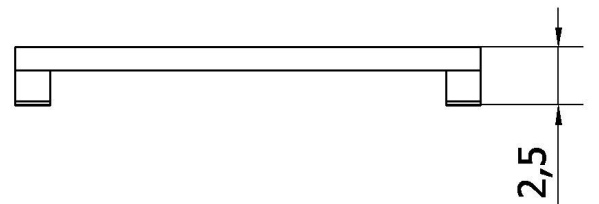
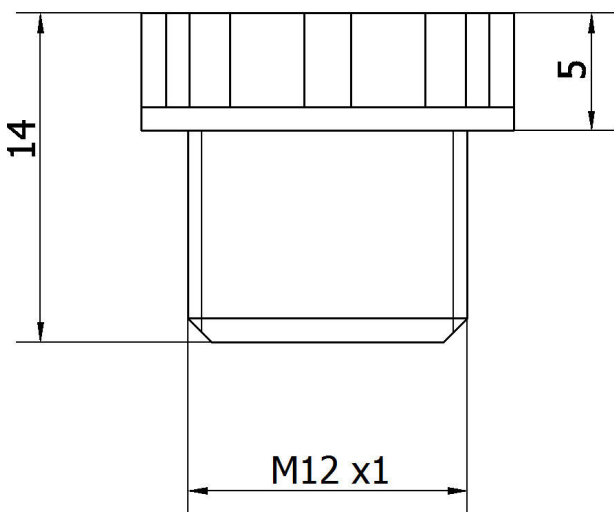
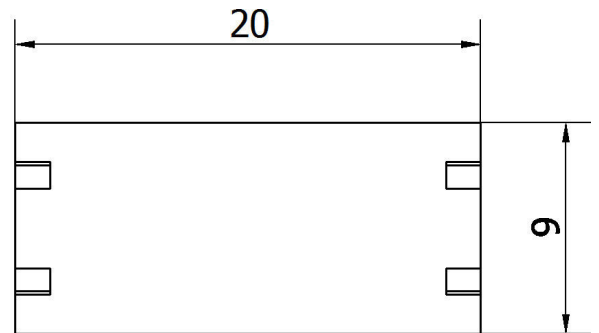
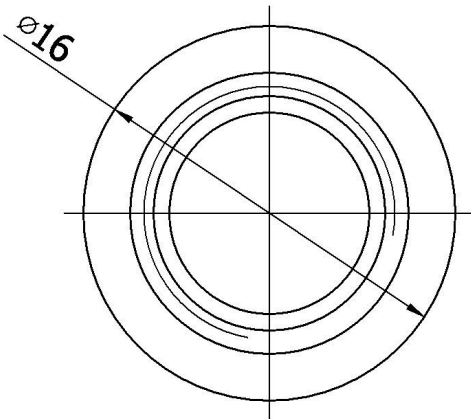
### Classification

ETIM 8	EC001288 Marking material
--------	---------------------------

### More

IPF Product Group	900 accessories
packaging dimensions	180 x 100 x 10 mm
gross weight	8 g
Customs tariff number	39269097
WEEE number	40951076
OzDS-compliant	Yes
POP-compliant	Yes
Reach-compliant	Yes
RoHS-compliant	Yes

**Dimensional drawing**



**Installation**

Mounting / installation may only be carried out by a qualified electrician!



**Disposal**

WEEE number according to § 6 para. 3  
ElektroG: 40951076

**Safety warnings**

/ Before initial operation, please make sure to follow all safety instructions that may be provided in the product information.

/ Never use these devices in applications where the safety of a person depends on their functionality.