

# AV000138

## Accessories • Encoders - Mounting

Accessories, mounting bracket, 76x40x80mm, bracket, stainless steel



Accessories, mounting bracket, 76x40x80mm, bracket, stainless steel

### Mechanical features

Width	80 mm
Diameter of screw-on mounting	6.8
Height	76 mm
Length	40 mm
Mounting method	Screw mounting
Material	Stainless steel

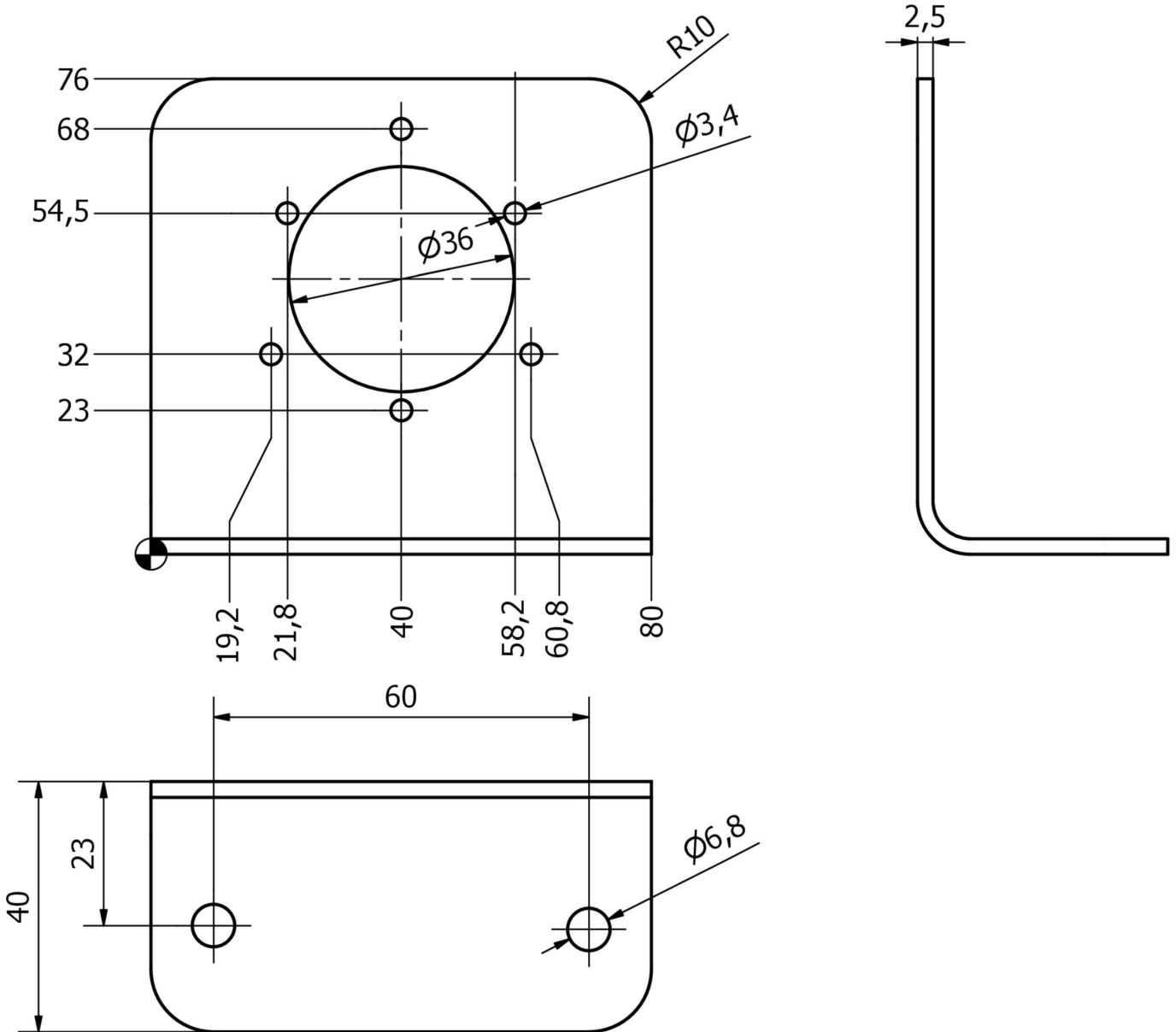
### Classification

ETIM 8	EC002625 Mounting accessories (control cabinet)
--------	---

### More

IPF Product Group	900 accessories
packaging dimensions	150 x 100 x 40 mm
gross weight	153 g
Customs tariff number	73269098
WEEE number	40951076
Reach-compliant	Yes
RoHS-compliant	Yes

**Dimensional drawing**



**Installation**

Mounting / installation may only be carried out by a qualified electrician!



**Disposal**

WEEE number according to § 6 para. 3  
ElektroG: 40951076

**Safety warnings**

/ Before initial operation, please make sure to follow all safety instructions that may be provided in the product information.

/ Never use these devices in applications where the safety of a person depends on their functionality.