

AV000141

Accessories • Assembly - quick clips

accessories cable socket, Mounting clip, 13.5mm, PPO, Packaging unit 5, Accessories for Cable socket/connector M12



Holding clip for screwed cable sockets and connectors M12

Mechanical features

Mounting method	Screw mounting
Tube/cable diameter	13,5 - 14,8 mm
Material	PPO
Accessories for	Cable socket/connector M12

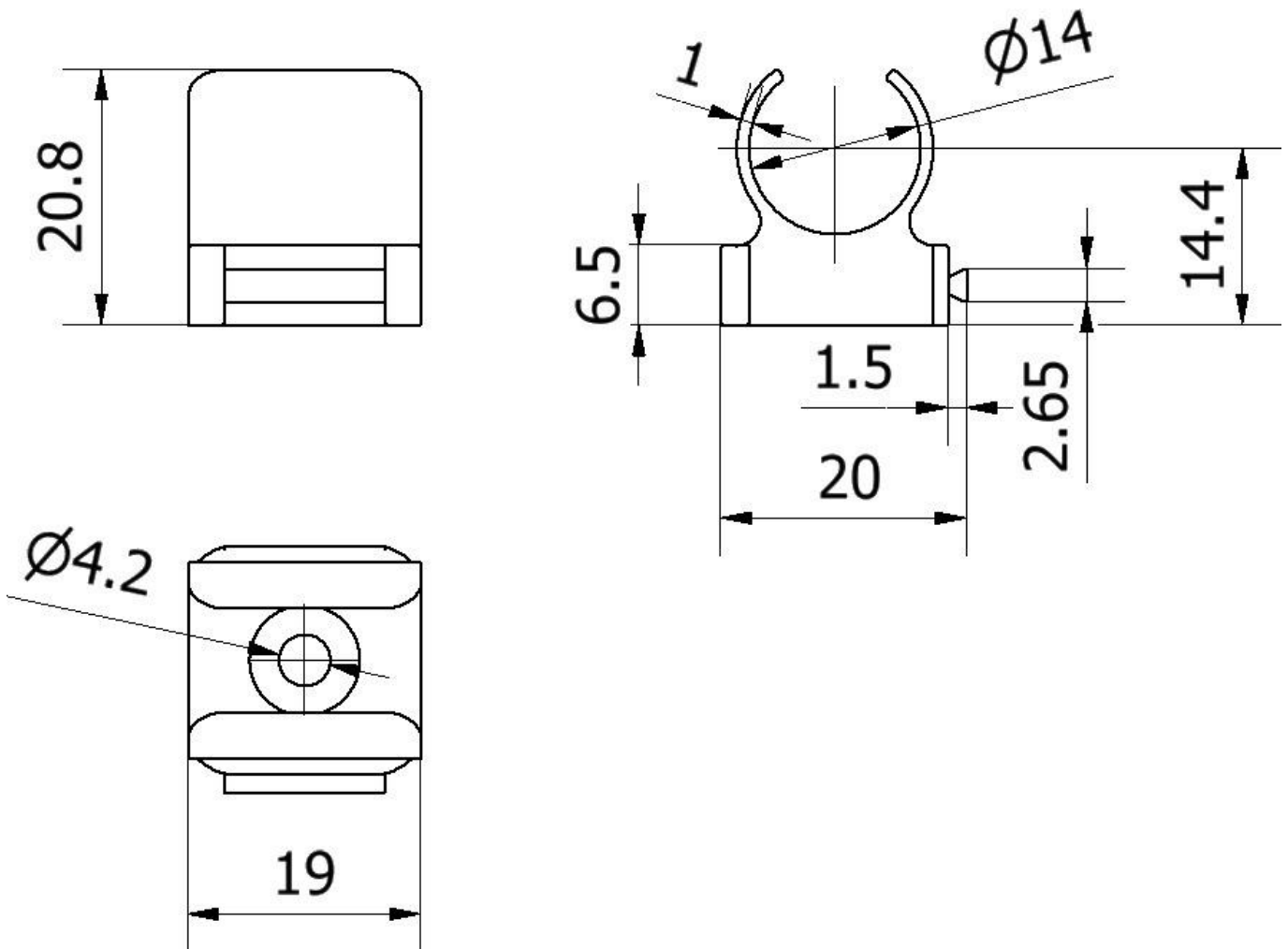
Classification

ETIM 8	EC000127 Fixing clamp for cables/tubes
--------	--

More

IPF Product Group	900 accessories
packaging dimensions	120 x 100 x 23 mm
gross weight	17 g
Customs tariff number	39269097
WEEE number	40951076
POP-compliant	Yes
Reach-compliant	Yes
RoHS-compliant	Yes

Dimensional drawing



Installation

Mounting / installation may only be carried out by a qualified electrician!



Disposal

WEEE number according to § 6 para. 3
ElektroG: 40951076

Safety warnings

- / Before initial operation, please make sure to follow all safety instructions that may be provided in the product information.
- / Never use these devices in applications where the safety of a person depends on their functionality.