

AV000146

Accessories • Linear and angular measurement

Accessories, spring arm, 180x66x75mm, aluminum



for VD58982x

Mechanical features

Width	65.9 mm
Height	75 mm
Length	185 mm
Mounting method	Screw mounting
Surface	Anodized
Material	Aluminum
Operating force	10,00 - 30,00 N

Other features

Version	Spring arm
---------	------------

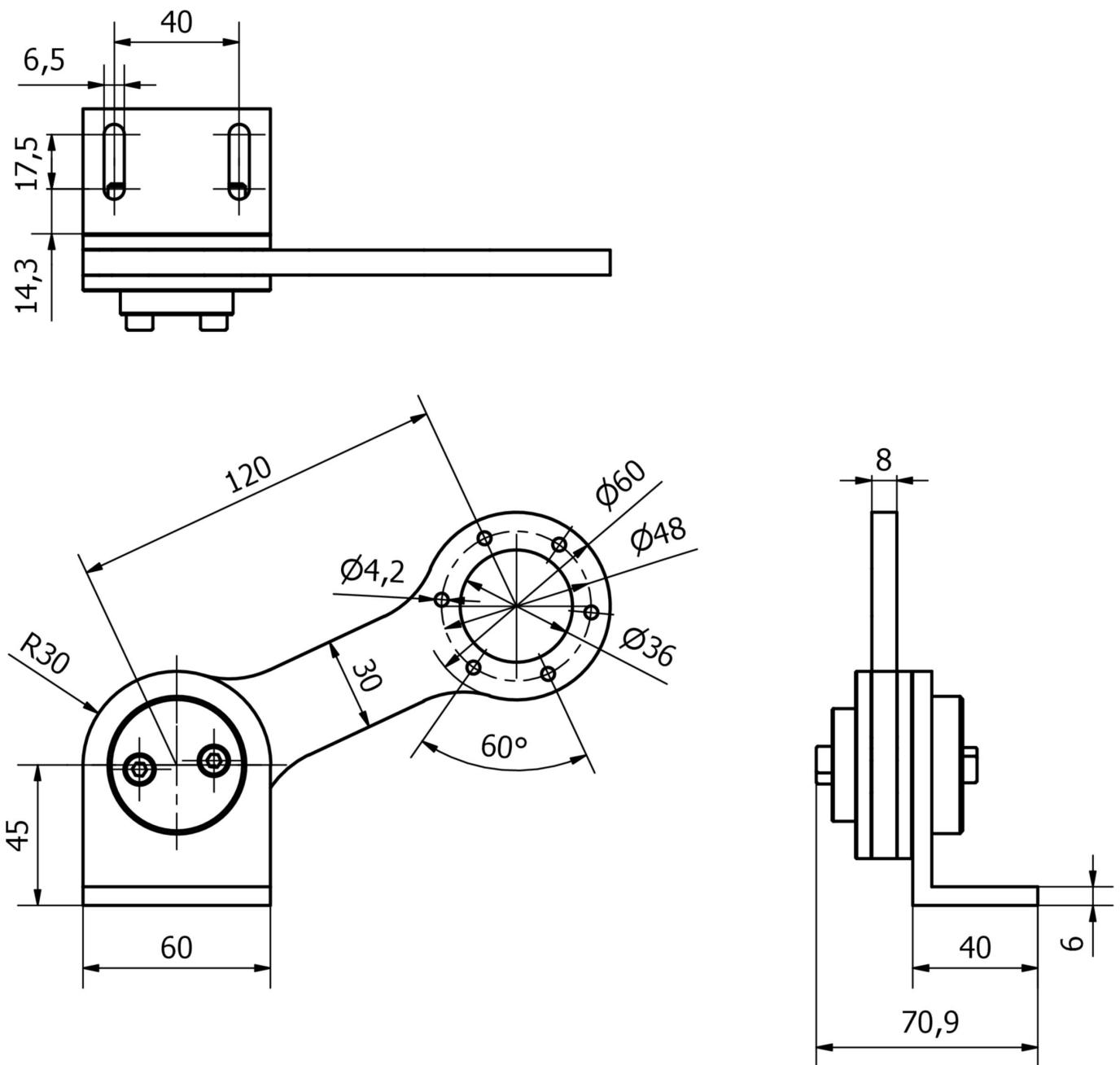
Classification

ETIM 8	EC002024 Accessories/spare parts for command devices
--------	--

More

IPF Product Group	900 accessories
packaging dimensions	182 x 197 x 110 mm
gross weight	531 g
Customs tariff number	76169990
WEEE number	40951076
Reach-compliant	Yes
RoHS-compliant	Yes

Dimensional drawing



Installation

Mounting / installation may only be carried out by a qualified electrician!



Disposal

WEEE number according to § 6 para. 3 ElektroG: 40951076

Safety warnings

/ Before initial operation, please make sure to follow all safety instructions that may be provided in the product information.

/ Never use these devices in applications where the safety of a person depends on their functionality.