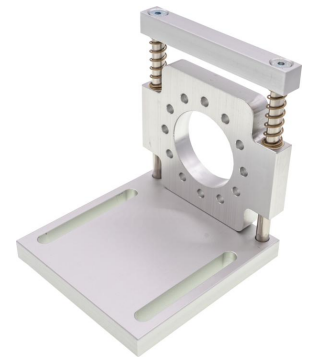


AV000147

Accessories • Encoders - Mounting

Accessories, mounting bracket, 95x85x80mm, bracket, aluminum, spring-loaded



Accessories, mounting bracket, 95x85x80mm, bracket, aluminum, spring-loaded

Mechanical features

Width	80 mm
Diameter of screw-on mounting	6.5
Height	95 mm
Length	85 mm
Mounting method	Screw mounting
Material	Aluminum
Ambient temperature	-40 - 120 °C

Other features

Suitable for	encoders
--------------	----------

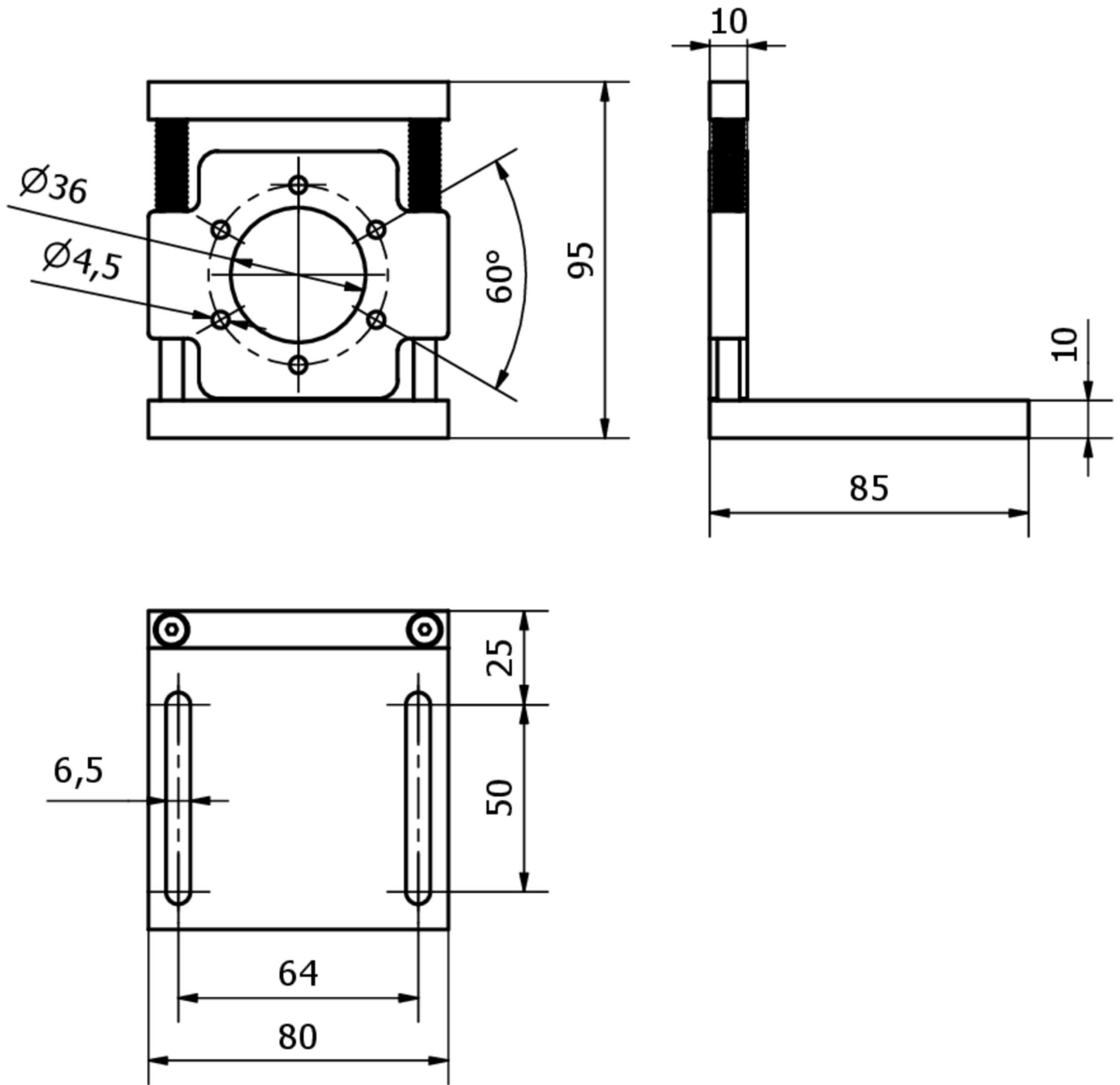
Classification

ETIM 8

More

IPF Product Group	900 accessories
packaging dimensions	220 x 140 x 86 mm
gross weight	302 g
Customs tariff number	76169990
WEEE number	40951076
Reach-compliant	Yes
RoHS-compliant	Yes

Dimensional drawing



Installation

Mounting / installation may only be carried out by a qualified electrician!



Disposal

WEEE number according to § 6 para. 3
ElektroG: 40951076

Safety warnings

/ Before initial operation, please make sure to follow all safety instructions that may be provided in the product information.

/ Never use these devices in applications where the safety of a person depends on their functionality.