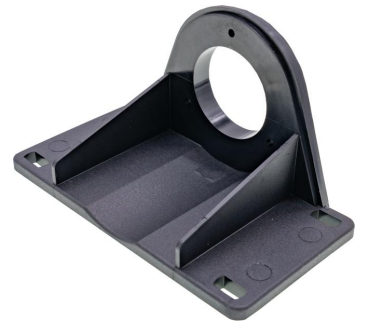


AV000148

Accessories • Encoders - Mounting

Accessories, mounting bracket, 120x66.5x68mm, bracket, plastic, rigid



Accessories, mounting bracket, 120x66.5x68mm, bracket, plastic, rigid

Mechanical features

Width	120 mm
Diameter of screw-on mounting	5.3
Height	66.5 mm
Length	68.2 mm
Mounting method	Screw mounting
Material	Plastic (PPS, glass fiber reinforced)
Ambient temperature	-40 - 270 °C

Other features

Suitable for	encoders
--------------	----------

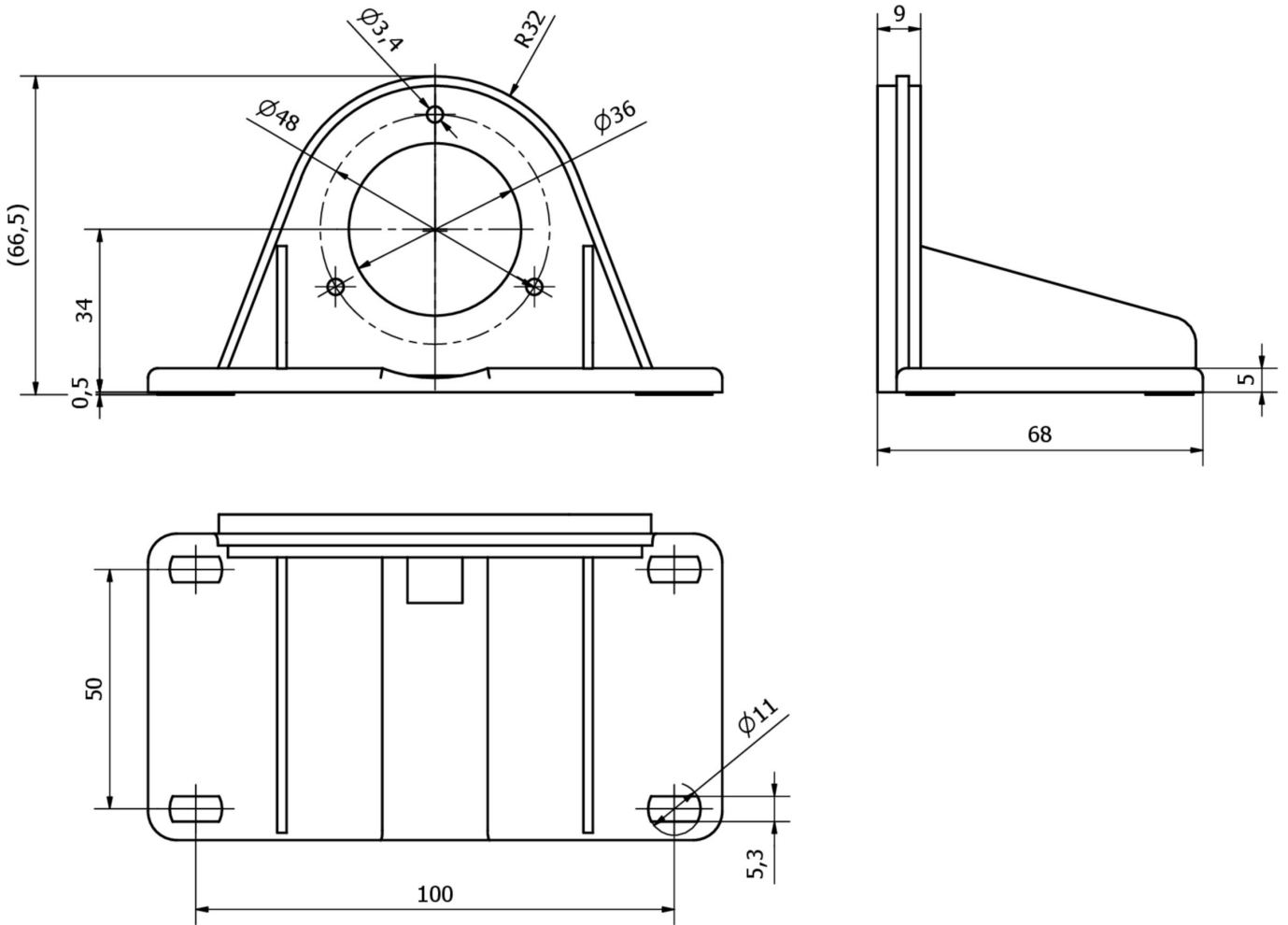
Classification

ETIM 8

More

IPF Product Group	900 accessories
packaging dimensions	220 x 140 x 66 mm
gross weight	71 g
Customs tariff number	39269097
WEEE number	40951076
Reach-compliant	Yes
RoHS-compliant	Yes

Dimensional drawing



Installation

Mounting / installation may only be carried out by a qualified electrician!



Disposal

WEEE number according to § 6 para. 3
ElektroG: 40951076

Safety warnings

/ Before initial operation, please make sure to follow all safety instructions that may be provided in the product information.

/ Never use these devices in applications where the safety of a person depends on their functionality.