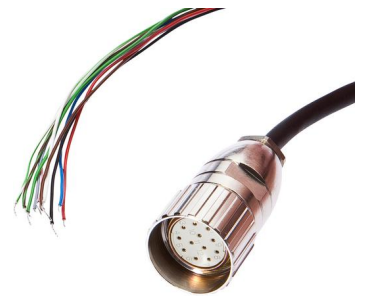


AV000149

Connection technology • Cable sockets / connectors pre-assembled on one side

Accessories, connection cable, 2m, M23 socket 12-pin straight, free cable end, 10-core, metal, shielded



ipf cable sockets are mainly used for the electrical connection of sensors. Their properties are characterized by the robust version, in the highest degrees of protection (IP67 | IP68 | IP69K) and with 360° shielding on request. With the features: bus-compatible, drag chain and robot-compatible, oil and chemical-resistant, welding spark-resistant, cleaning agent-resistant or resistant to high-pressure and steam jet cleaning, the enlarged temperature range up to +230°C, rapid interconnection (technology) or special data transmission properties, the cable sockets meet all the requirements of automation technology.

Electrical features

Type of plug-in contact, A connection	Female (socket)
Type of cable	Multi-core
Type of A electrical connection	M23
Type of B electrical connection	Free conductor end
Number of pins of A connection	12
Shielded	Yes

Mechanical features

Number of cores	10
Conductor cross-section	0.14 mm ²
Cable length	2 m
Cable infeed of A connection	straight
Housing material	Metal
Material of cable sheath	Plastic (PVC)
Line diameter	7.5 mm

Other features

Flame retardant	No
-----------------	----

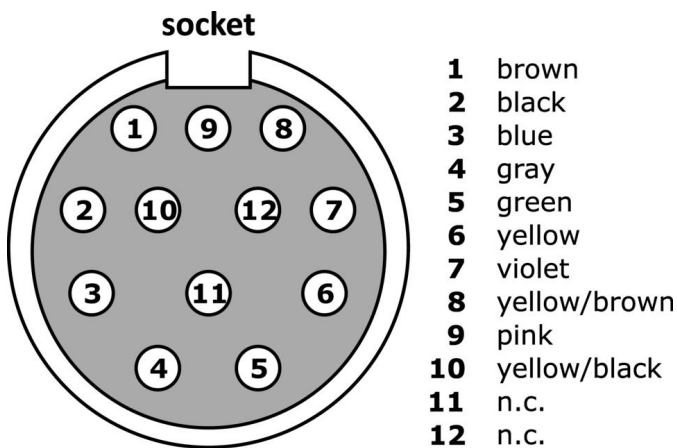
Classification

ETIM 8	EC001855 Assembled sensor-actuator cable
--------	------------------------------------------

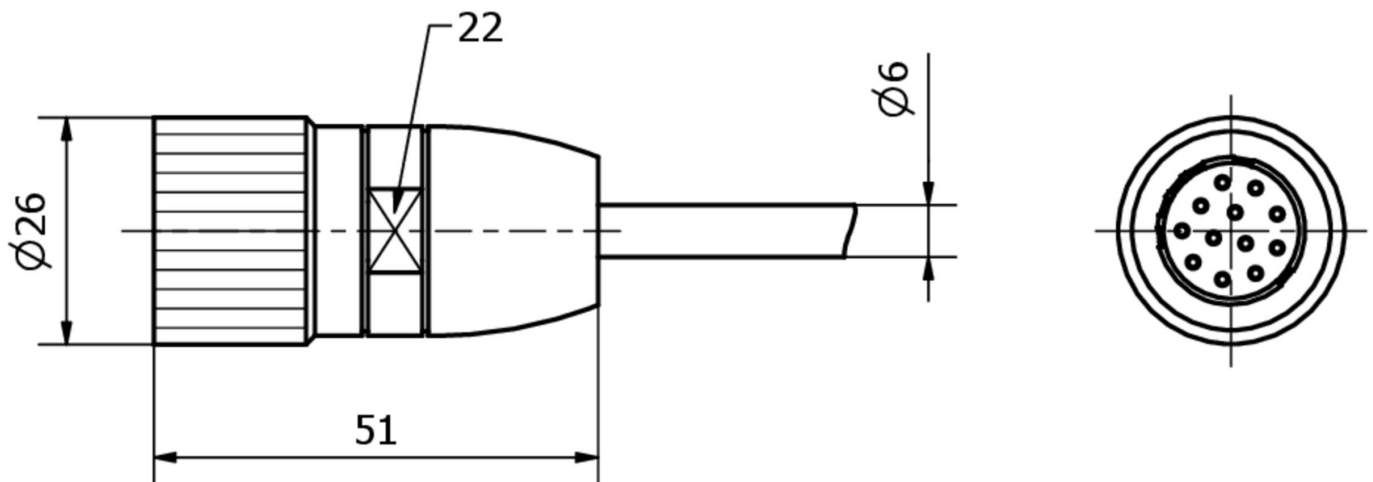
More

IPF Product Group	900 accessories
packaging dimensions	220 x 160 x 32 mm
gross weight	318 g
Customs tariff number	85444290
WEEE number	40951076
OzDS-compliant	Yes
POP-compliant	Yes
Reach-compliant	Yes
RoHS-compliant	Yes

Connection



Dimensional drawing



Extract accessories program**AY000141**

Plastic sheath, Ø17mm, Inner diameter 10mm, -40-250°C, Glass fiber with silicone rubber, Short-term resistance to weld spatter 1200°C, Tensile strength 400N, Flexible, Flame retardant, yard good

You can find further accessories on our homepage

**Installation**

Mounting / installation may only be carried out by a qualified electrician!

**Disposal**

WEEE number according to § 6 para. 3 ElektroG: 40951076

Safety warnings

- / Before initial operation, please make sure to follow all safety instructions that may be provided in the product information.
- / Never use these devices in applications where the safety of a person depends on their functionality.