

AV000150

Accessories • Optical sensors - Assembly

Accessories Miscellaneous, mounting bracket, 90 x 64 x 50mm, stainless steel



Mounting bracket for VO330570

Mechanical features

Width	64 mm
Diameter of screw-on mounting	5.5
Height	50 mm
Length	90 mm
Material thickness	2 mm
Mounting method	Screw mounting
Material	Stainless steel
Accessories for	VO330570

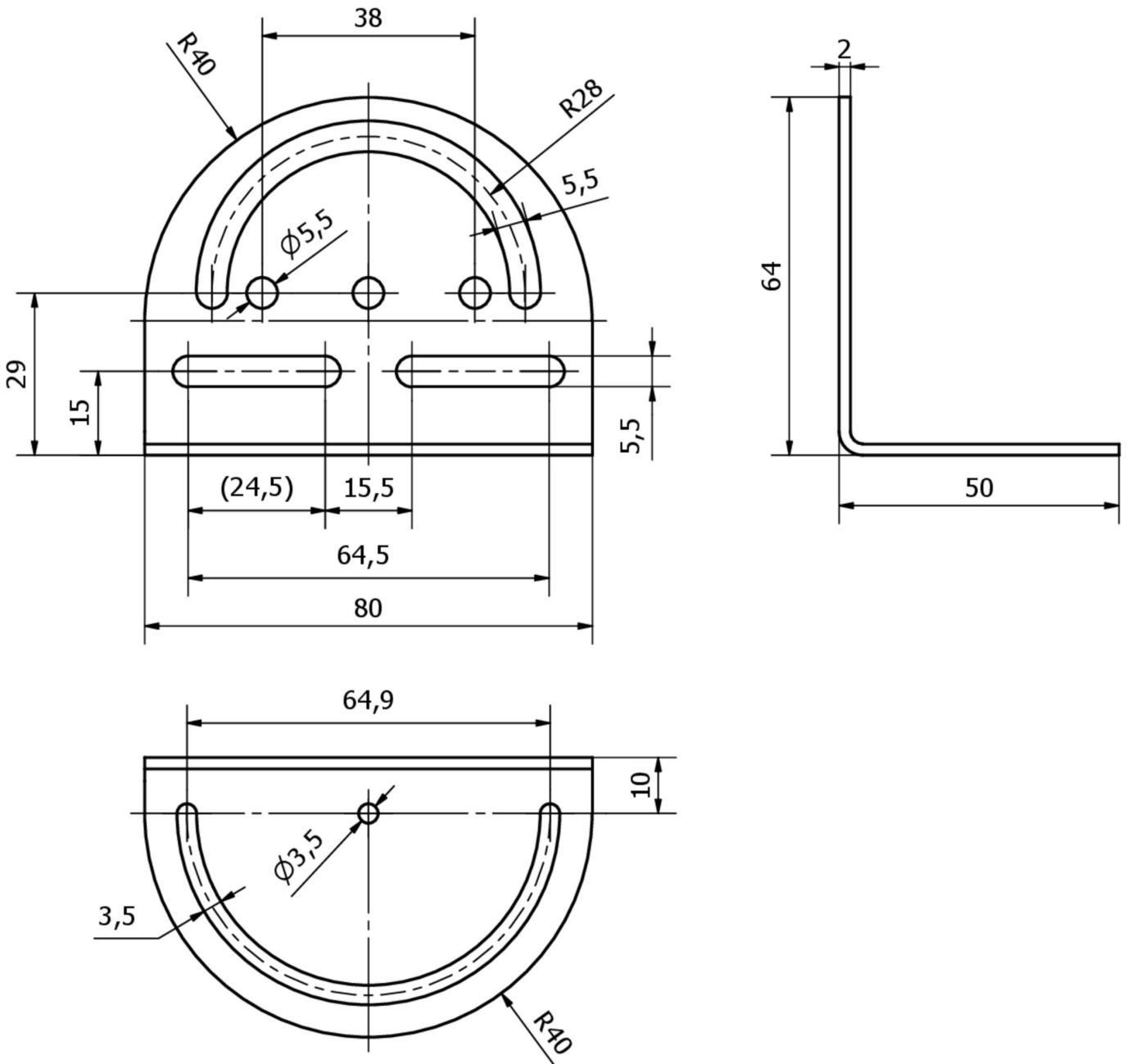
Classification

ETIM 8

More

IPF Product Group	900 accessories
packaging dimensions	170 x 120 x 60 mm
gross weight	104 g
Customs tariff number	73269098
WEEE number	40951076
Reach-compliant	Yes
RoHS-compliant	Yes

Dimensional drawing



Installation

Mounting / installation may only be carried out by a qualified electrician!



Disposal

WEEE number according to § 6 para. 3
ElektroG: 40951076

Safety warnings

/ Before initial operation, please make sure to follow all safety instructions that may be provided in the product information.

/ Never use these devices in applications where the safety of a person depends on their functionality.