

AY000009

Accessories • Mounting

accessories sensor, Ø6mm, Aluminum, For sensor 6mm, for Wall mounting, Screw mounting



Mechanical features

| | |
|------------------|----------------|
| Diameter | 6 mm |
| For sensor | 6mm |
| Mounting method | Screw mounting |
| Nominal diameter | 6 mm |
| Surface | Anodized |
| Material | Aluminum |
| To fix to | Wall mounting |

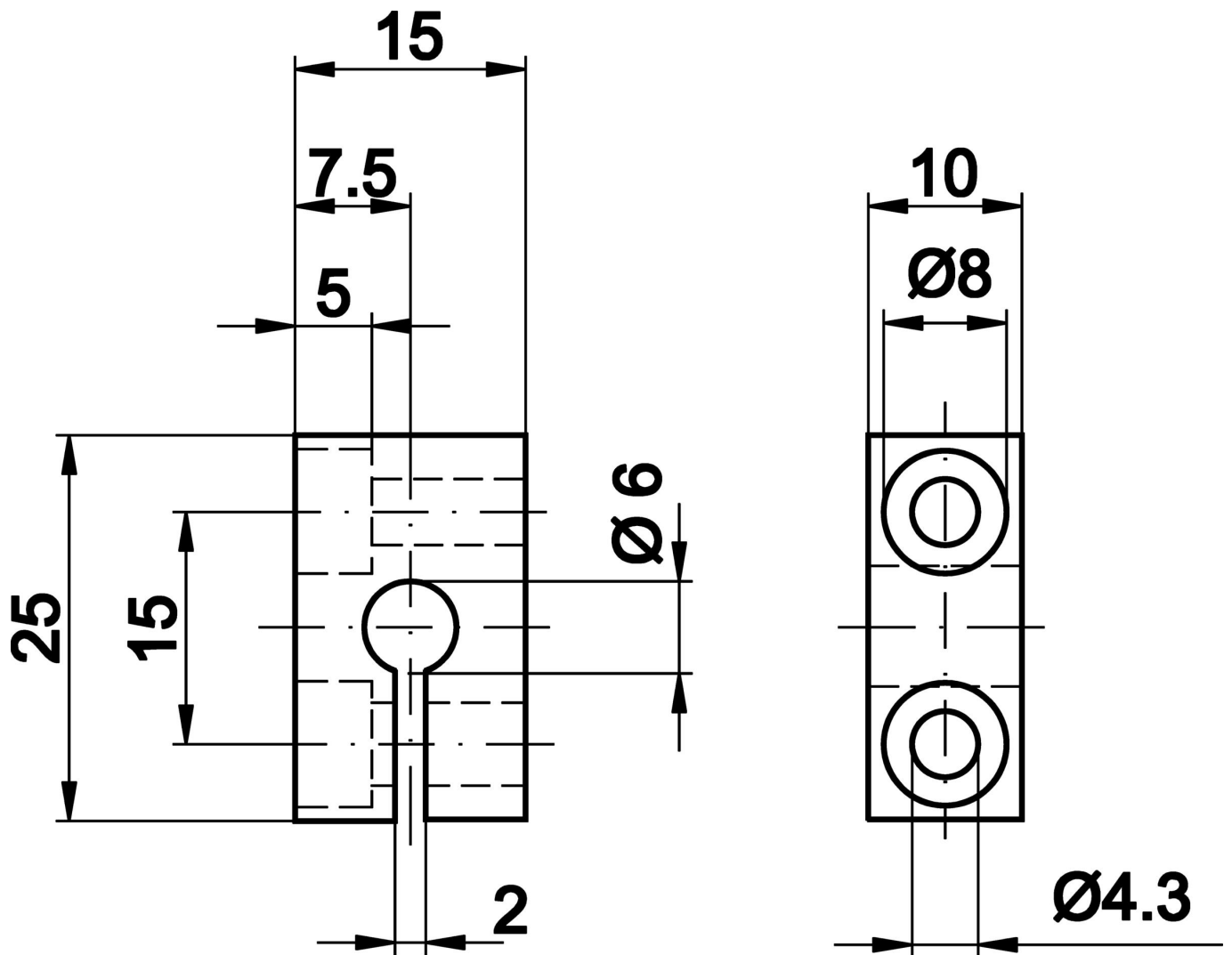
Classification

| | |
|--------|--|
| ETIM 8 | EC000127 Fixing clamp for cables/tubes |
|--------|--|

More

| | |
|-----------------------|-------------------|
| IPF Product Group | 900 accessories |
| packaging dimensions | 195 x 120 x 15 mm |
| gross weight | 10 g |
| Customs tariff number | 76169990 |
| WEEE number | 40951076 |
| OzDS-compliant | Yes |
| POP-compliant | Yes |
| Reach-compliant | Yes |
| RoHS-compliant | Yes |

Dimensional drawing



Installation

Mounting / installation may only be carried out by a qualified electrician!



Disposal

WEEE number according to § 6 para. 3
ElektroG: 40951076

Safety warnings

/ Before initial operation, please make sure to follow all safety instructions that may be provided in the product information.

/ Never use these devices in applications where the safety of a person depends on their functionality.