

AY000010

Accessories • Mounting

Accessories sensor, Ø8mm, aluminum, for sensor 8mm, for wall mounting, screw-on mounting



Mechanical features

Diameter	8 mm
Mounting method	Screw mounting
Nominal diameter	8 mm
Surface	Anodized
Material	Aluminum
Accessories for	8mm
To fix to	Wall mounting

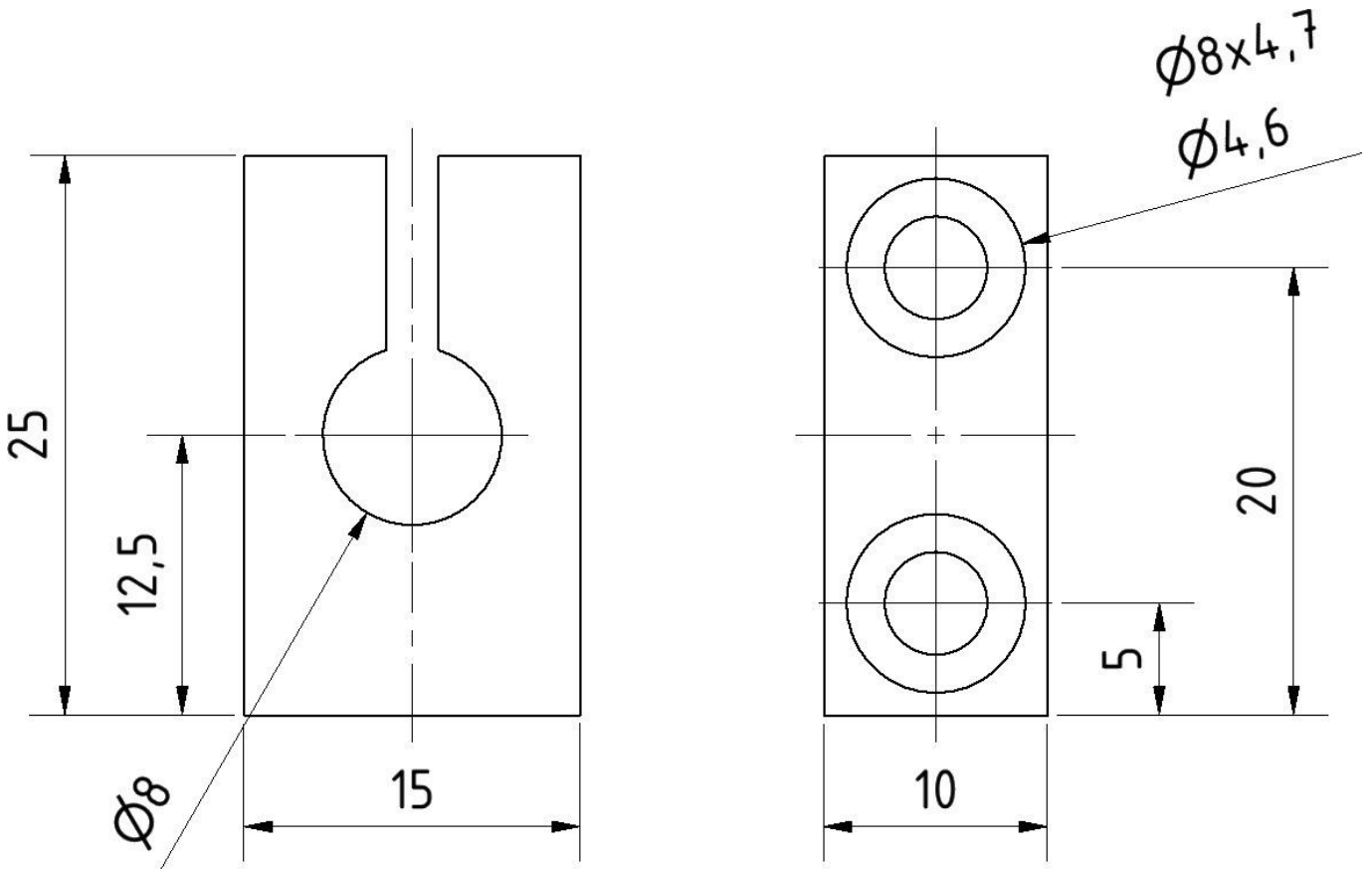
Classification

ETIM 8	EC000127 Fixing clamp for cables/tubes
--------	--

More

IPF Product Group	900 accessories
packaging dimensions	120 x 70 x 20 mm
gross weight	10 g
Customs tariff number	76169990
WEEE number	40951076
OzDS-compliant	Yes
POP-compliant	Yes
Reach-compliant	Yes
RoHS-compliant	Yes

Dimensional drawing



Installation

Mounting / installation may only be carried out by a qualified electrician!



Disposal

WEEE number according to § 6 para. 3
ElektroG: 40951076

Safety warnings

/ Before initial operation, please make sure to follow all safety instructions that may be provided in the product information.

/ Never use these devices in applications where the safety of a person depends on their functionality.