

# AY000016

## Accessories • Mounting

accessories sensor, Ø3mm, Aluminum, For sensor 3mm, for Wall mounting, Screw mounting



### Mechanical features

Diameter	3 mm
For sensor	3mm
Mounting method	Screw mounting
Nominal diameter	3 mm
Surface	Anodized
Material	Aluminum
To fix to	Wall mounting

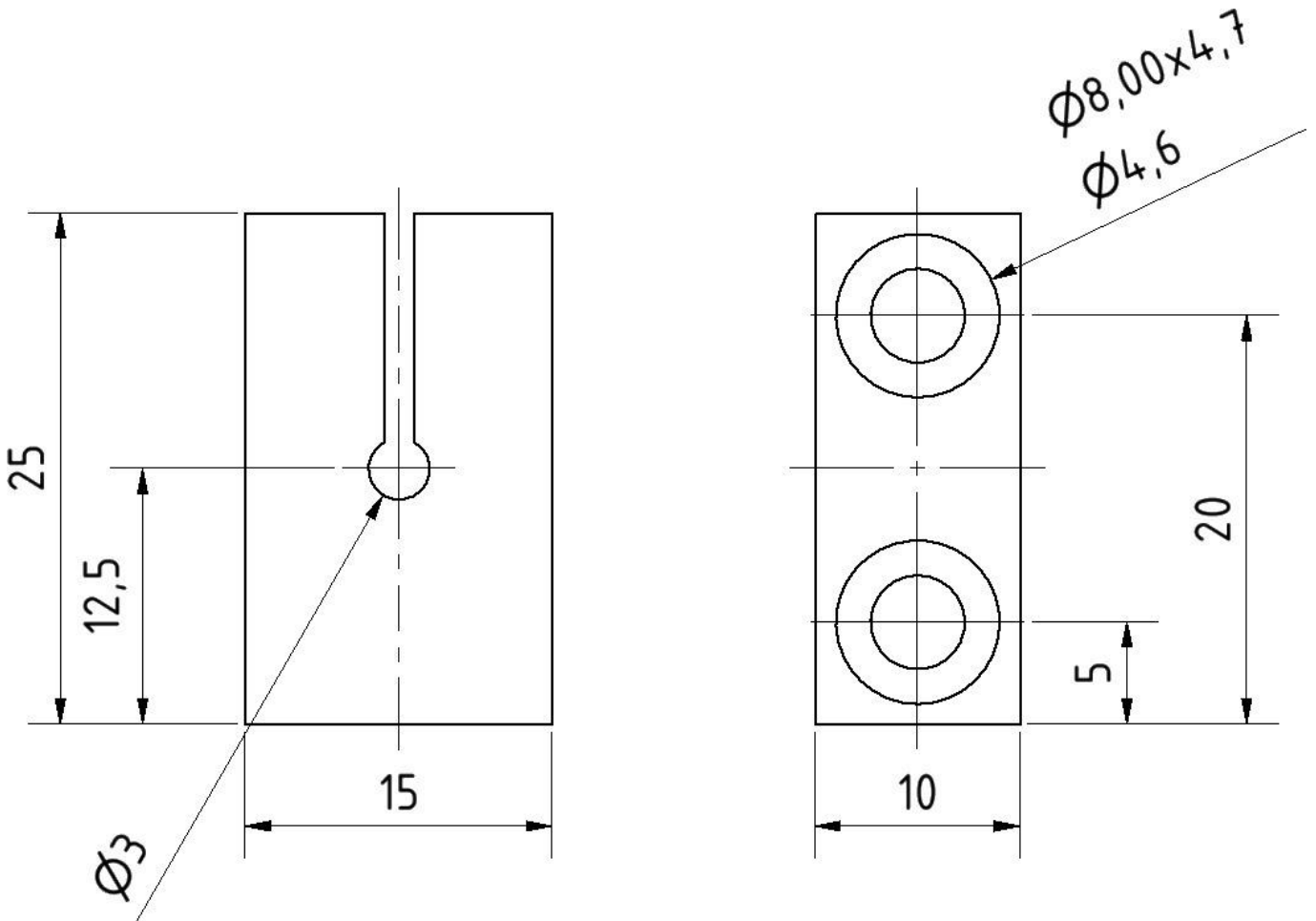
### Classification

ETIM 8	EC000127 Fixing clamp for cables/tubes
--------	--

### More

IPF Product Group	900 accessories
packaging dimensions	120 x 70 x 10 mm
gross weight	10 g
Customs tariff number	76169990
WEEE number	40951076
OzDS-compliant	Yes
POP-compliant	Yes
Reach-compliant	Yes
RoHS-compliant	Yes

**Dimensional drawing**



**Installation**

Mounting / installation may only be carried out by a qualified electrician!



**Disposal**

WEEE number according to § 6 para. 3  
ElektroG: 40951076

**Safety warnings**

- / Before initial operation, please make sure to follow all safety instructions that may be provided in the product information.
- / Never use these devices in applications where the safety of a person depends on their functionality.