

## AY000019

### Accessories • Mounting

accessories sensor, Ø6,5mm, Aluminum, For sensor 6.5mm, for Wall mounting, Screw mounting



#### Mechanical features

Diameter	6.5 mm
For sensor	6.5mm
Mounting method	Screw mounting
Nominal diameter	6.5 mm
Surface	Anodized
Material	Aluminum
To fix to	Wall mounting

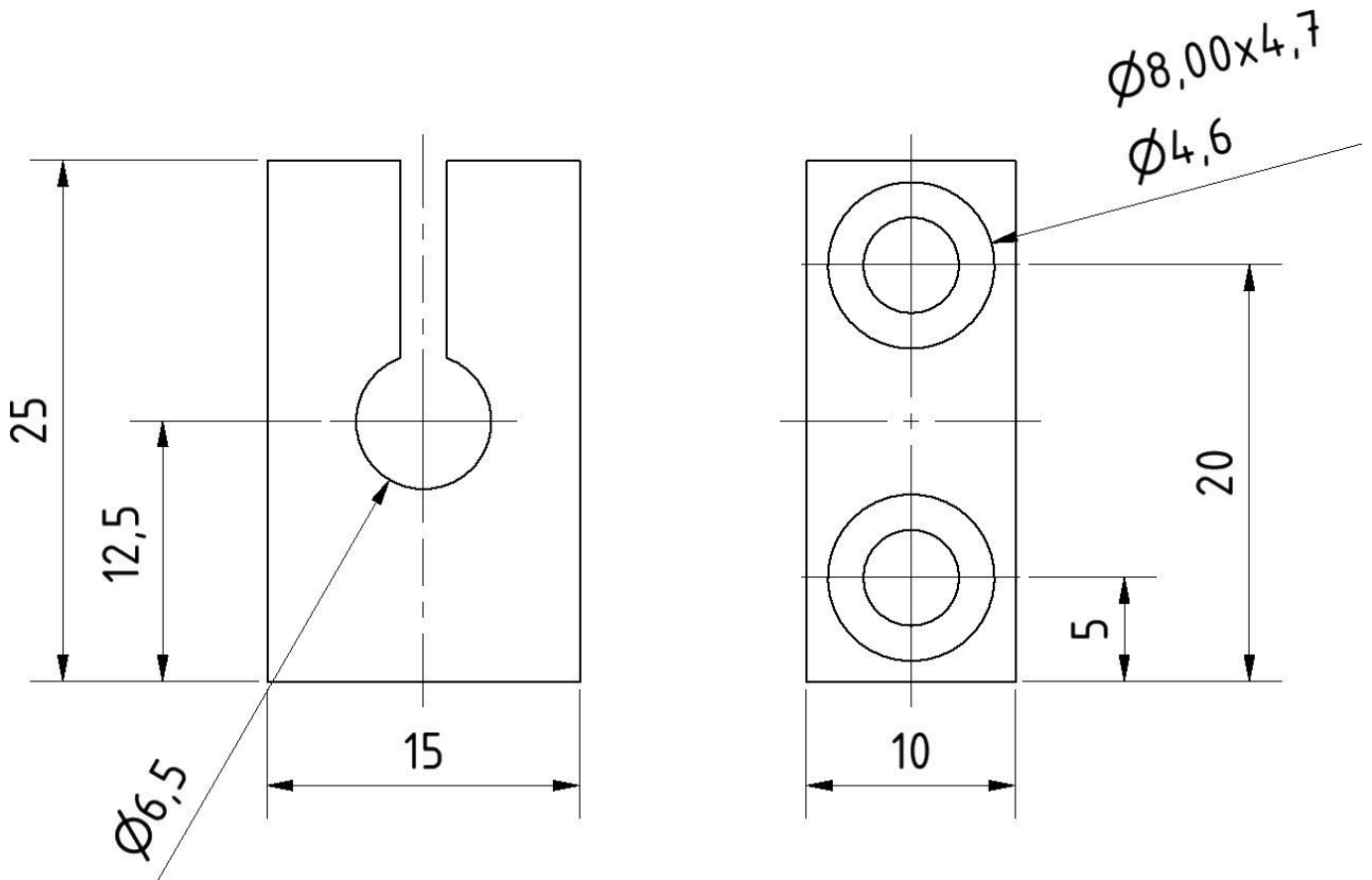
#### Classification

ETIM 8	EC000127 Fixing clamp for cables/tubes
--------	----------------------------------------

#### More

IPF Product Group	900 accessories
packaging dimensions	120 x 100 x 11 mm
gross weight	10 g
Customs tariff number	76169990
WEEE number	40951076
OzDS-compliant	Yes
POP-compliant	Yes
Reach-compliant	Yes
RoHS-compliant	Yes

**Dimensional drawing**



**Extract accessories program**

**AY000009**



accessories sensor, Ø6mm,  
Aluminum, For sensor 6mm, for  
Wall mounting, Screw mounting

**AY000019**



accessories sensor, Ø6,5mm,  
Aluminum, For sensor 6.5mm, for  
Wall mounting, Screw mounting

You can find further accessories on our homepage



**Installation**

Mounting / installation may only be carried out by a qualified electrician!



**Disposal**

WEEE number according to § 6 para. 3  
ElektroG: 40951076

**Safety warnings**

/ Before initial operation, please make sure to follow all safety instructions that may be provided in the product information.

/ Never use these devices in applications where the safety of a person depends on their functionality.