

AY000027

Accessories • Nuts

accessories, Hexagon nut, M30x1.5, Wrench size 36mm, Brass Nickel-plated



Mechanical features

Thread pitch	1.5 mm
Height	5.3 mm
Surface	nickel-plated
Wrench size	36 mm
Screw system	External hexagon
Material	Brass
Thread dimension	M30

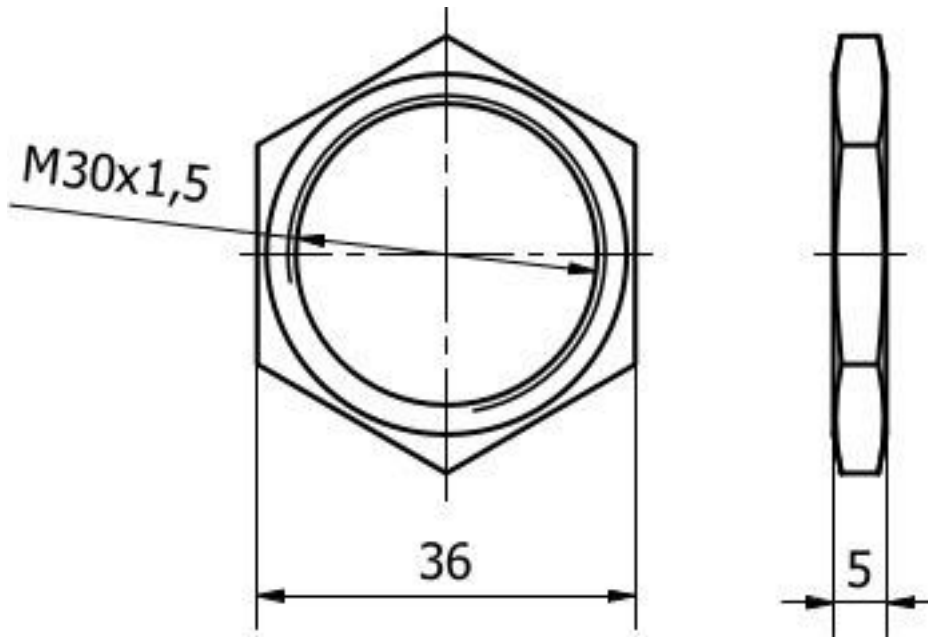
Classification

ETIM 8	EC003863 Nut
--------	--------------

More

IPF Product Group	900 accessories
packaging dimensions	220 x 160 x 100 mm
gross weight	520 g
Customs tariff number	73181660
WEEE number	40951076
POP-compliant	Yes
Reach-compliant	Yes
RoHS-compliant	Yes

Dimensional drawing



Installation

Mounting / installation may only be carried out by a qualified electrician!



Disposal

WEEE number according to § 6 para. 3
ElektroG: 40951076

Safety warnings

- / Before initial operation, please make sure to follow all safety instructions that may be provided in the product information.
- / Never use these devices in applications where the safety of a person depends on their functionality.