

# AY000042

## Accessories • Assembly - quick clips

accessories sensor, Holder, Plastic



### Mechanical features

Housing material	Plastic
------------------	---------

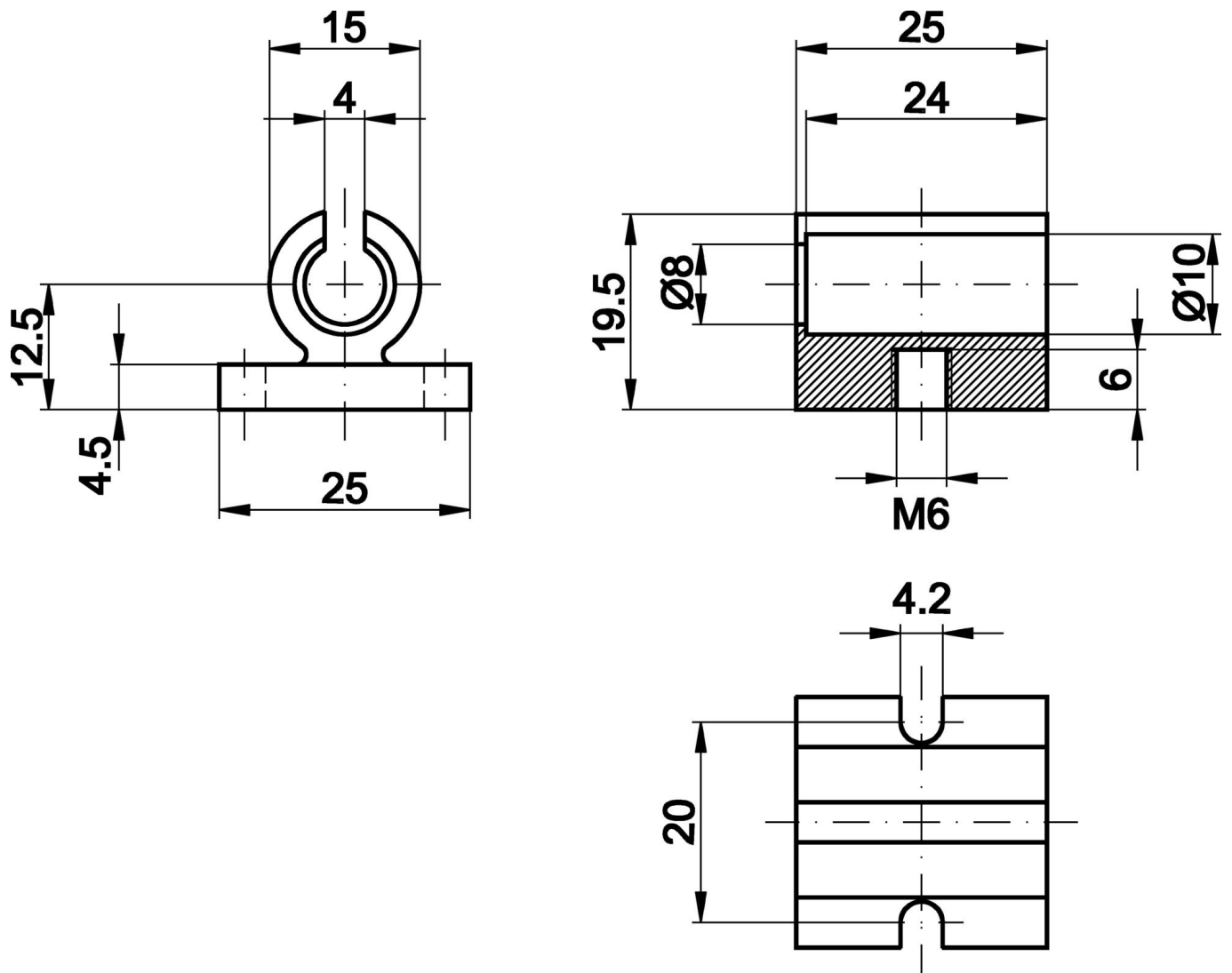
### Classification

ETIM 8	EC002024 Accessories/spare parts for command devices
--------	--

### More

IPF Product Group	900 accessories
packaging dimensions	120 x 100 x 25 mm
gross weight	10 g
Customs tariff number	39269097
WEEE number	40951076
Reach-compliant	Yes
RoHS-compliant	Yes

**Dimensional drawing**



**Installation**

Mounting / installation may only be carried out by a qualified electrician!



**Disposal**

WEEE number according to § 6 para. 3  
ElektroG: 40951076

**Safety warnings**

- / Before initial operation, please make sure to follow all safety instructions that may be provided in the product information.
- / Never use these devices in applications where the safety of a person depends on their functionality.