

AY000045

Accessories • Assembly - quick clips

accessories sensor, Ø5mm, Plastic, For sensor 5mm, for Wall mounting, Screw mounting



Mechanical features

Diameter	5 mm
For sensor	5mm
Mounting method	Screw mounting
Nominal diameter	5 mm
To fix to	Wall mounting

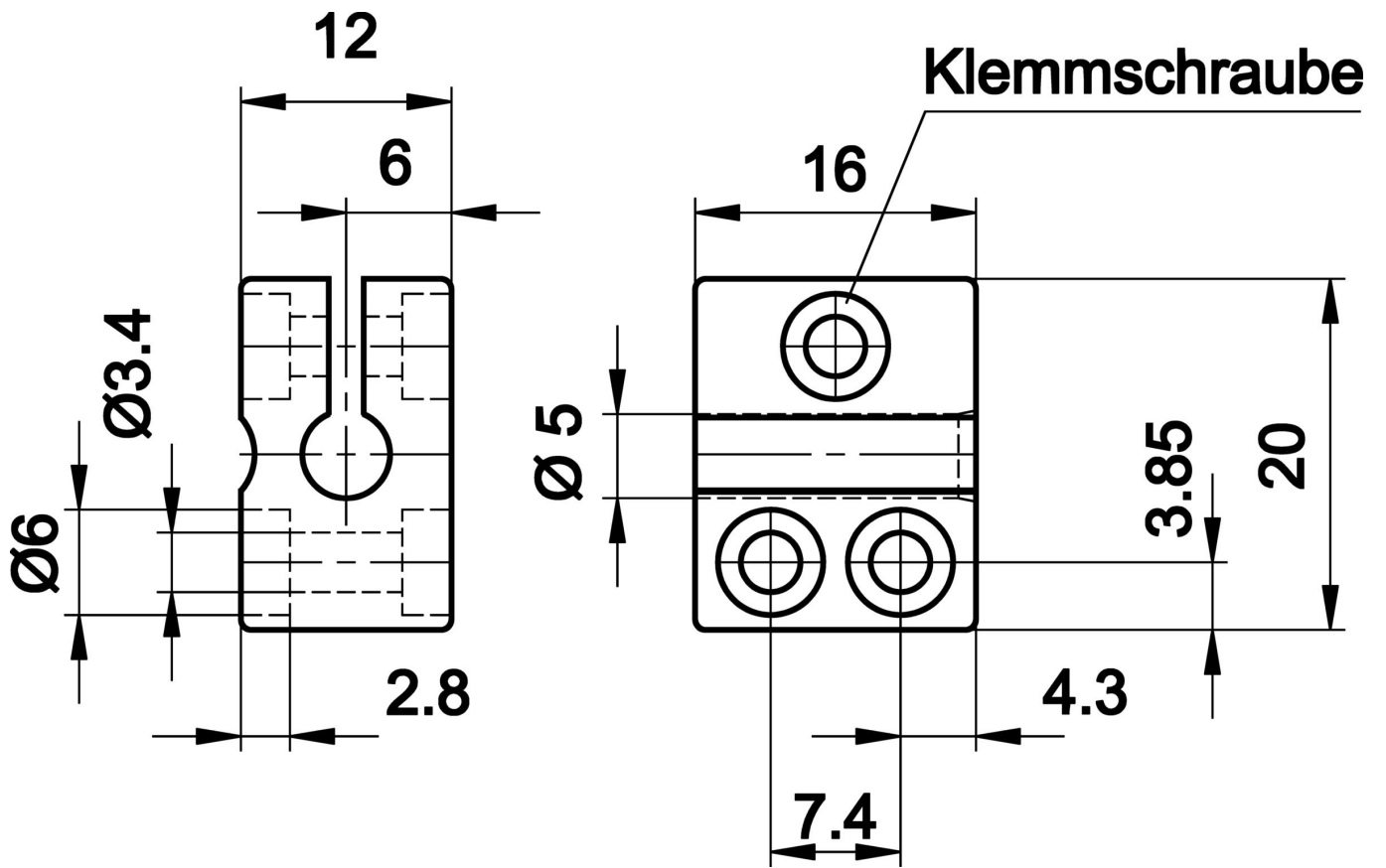
Classification

ETIM 8	EC000127 Fixing clamp for cables/tubes
--------	--

More

IPF Product Group	900 accessories
packaging dimensions	120 x 100 x 15 mm
gross weight	6 g
Customs tariff number	39269097
WEEE number	40951076
OzDS-compliant	Yes
POP-compliant	Yes
Reach-compliant	Yes
RoHS-compliant	Yes

Dimensional drawing



Installation

Mounting / installation may only be carried out by a qualified electrician!



Disposal

WEEE number according to § 6 para. 3
ElektroG: 40951076

Safety warnings

- / Before initial operation, please make sure to follow all safety instructions that may be provided in the product information.
- / Never use these devices in applications where the safety of a person depends on their functionality.