

AY000048

Accessories • Assembly - quick clips

accessories sensor, Ø8mm, Plastic, For sensor 8mm, for Wall mounting, Screw mounting, With positive stop



Mechanical features

| | |
|------------------|----------------|
| Diameter | 8 mm |
| For sensor | 8mm |
| Mounting method | Screw mounting |
| Nominal diameter | 8 mm |
| To fix to | Wall mounting |

Other features

| | |
|---------|--------------------|
| Version | With positive stop |
|---------|--------------------|

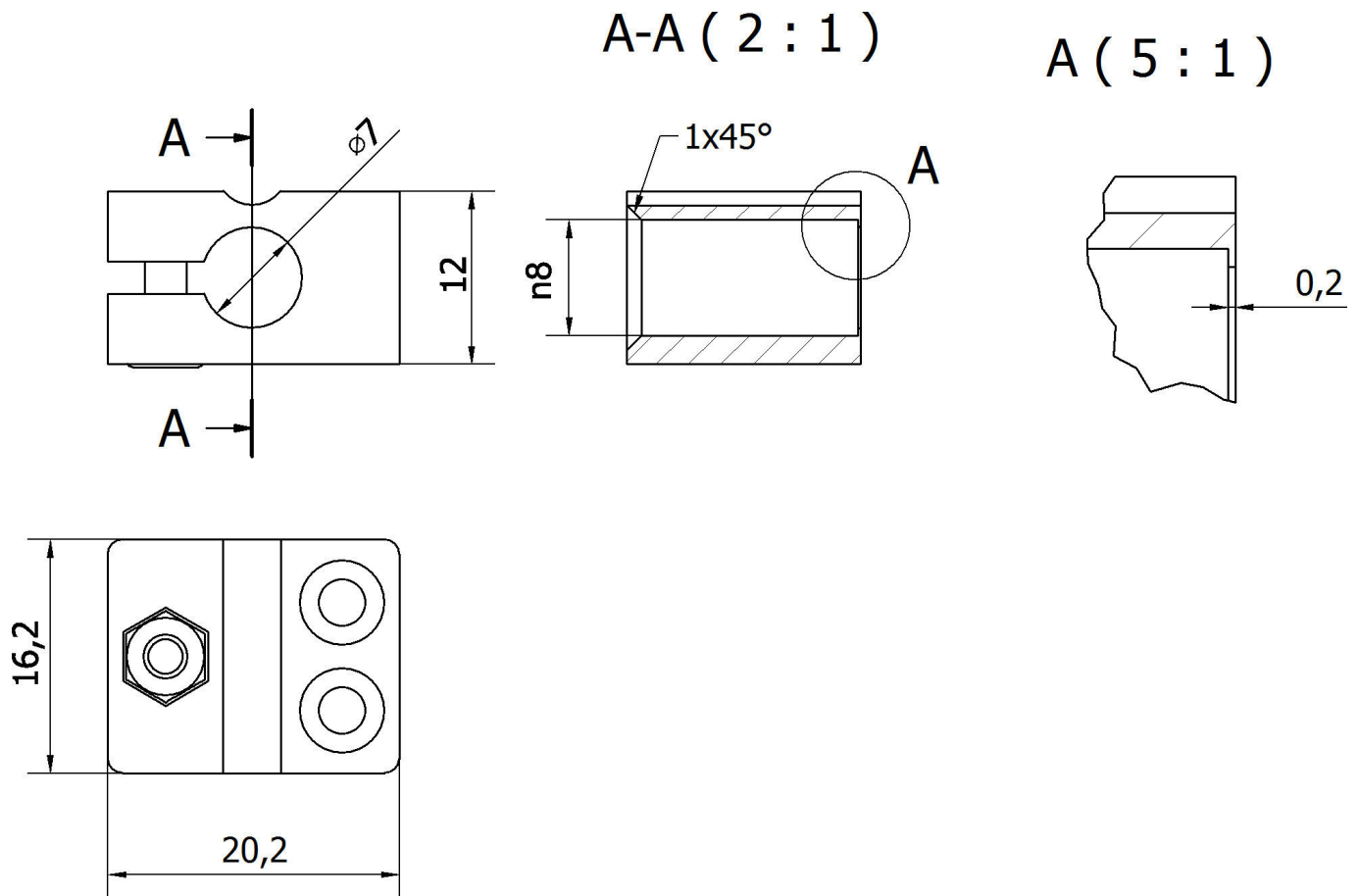
Classification

| | |
|--------|--|
| ETIM 8 | EC000127 Fixing clamp for cables/tubes |
|--------|--|

More

| | |
|-----------------------|-------------------|
| IPF Product Group | 900 accessories |
| packaging dimensions | 120 x 100 x 11 mm |
| gross weight | 5 g |
| Customs tariff number | 39269097 |
| WEEE number | 40951076 |
| OzDS-compliant | Yes |
| POP-compliant | Yes |
| Reach-compliant | Yes |
| RoHS-compliant | Yes |

Dimensional drawing



Installation

Mounting / installation may only be carried out by a qualified electrician!



Disposal

WEEE number according to § 6 para. 3
ElektroG: 40951076

Safety warnings

- / Before initial operation, please make sure to follow all safety instructions that may be provided in the product information.
- / Never use these devices in applications where the safety of a person depends on their functionality.