

AY000050

Accessories • Assembly - quick clips

accessories sensor, Ø12mm, Plastic, For sensor 12mm, for Wall mounting, Screw mounting, With positive stop



Mechanical features

Diameter	12 mm
For sensor	12mm
Mounting method	Screw mounting
Nominal diameter	12 mm
To fix to	Wall mounting

Other features

Version	With positive stop
---------	--------------------

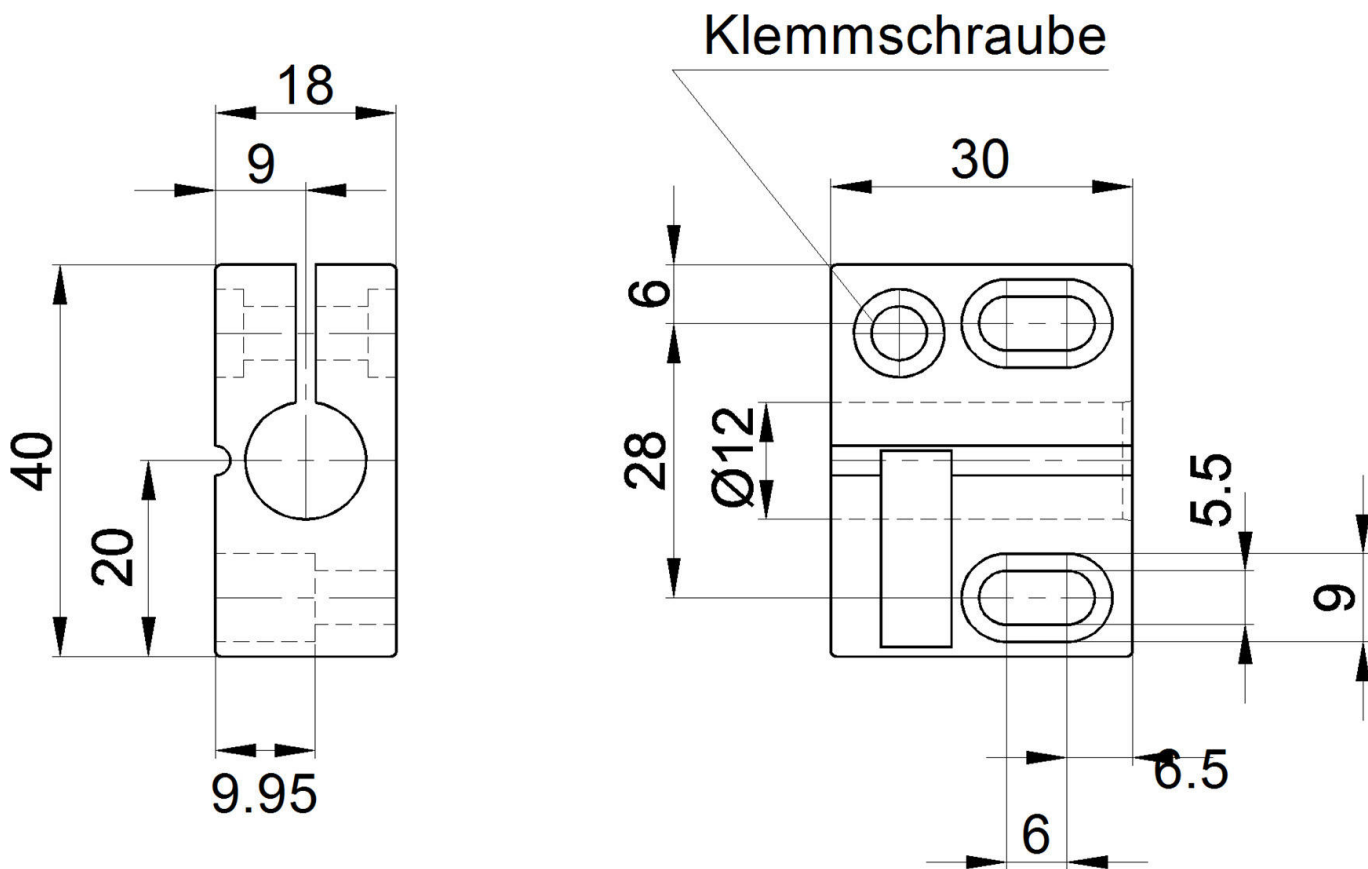
Classification

ETIM 8	EC000127 Fixing clamp for cables/tubes
--------	--

More

IPF Product Group	900 accessories
packaging dimensions	120 x 100 x 19 mm
gross weight	21 g
Customs tariff number	39269097
WEEE number	40951076
OzDS-compliant	Yes
POP-compliant	Yes
Reach-compliant	Yes
RoHS-compliant	Yes

Dimensional drawing



Extract accessories program

AY000053



accessories sensor, Fixture kit,
Plastic

AY000054



accessories sensor, Mounting
angle bracket, 61x30x40mm,
Mounting material for holder,
Plastic, 90°

[You can find further accessories on our homepage](#)



Installation

Mounting / installation may only be carried out by a qualified electrician!



Disposal

WEEE number according to § 6 para. 3
ElektroG: 40951076

Safety warnings

- / Before initial operation, please make sure to follow all safety instructions that may be provided in the product information.
- / Never use these devices in applications where the safety of a person depends on their functionality.