

AY000051

Accessories • Assembly - quick clips

accessories sensor, Ø18mm, Plastic, For sensor 18mm, for Wall mounting, Screw mounting



Mechanical features

Diameter	18 mm
For sensor	18mm
Mounting method	Screw mounting
Nominal diameter	18 mm
To fix to	Wall mounting

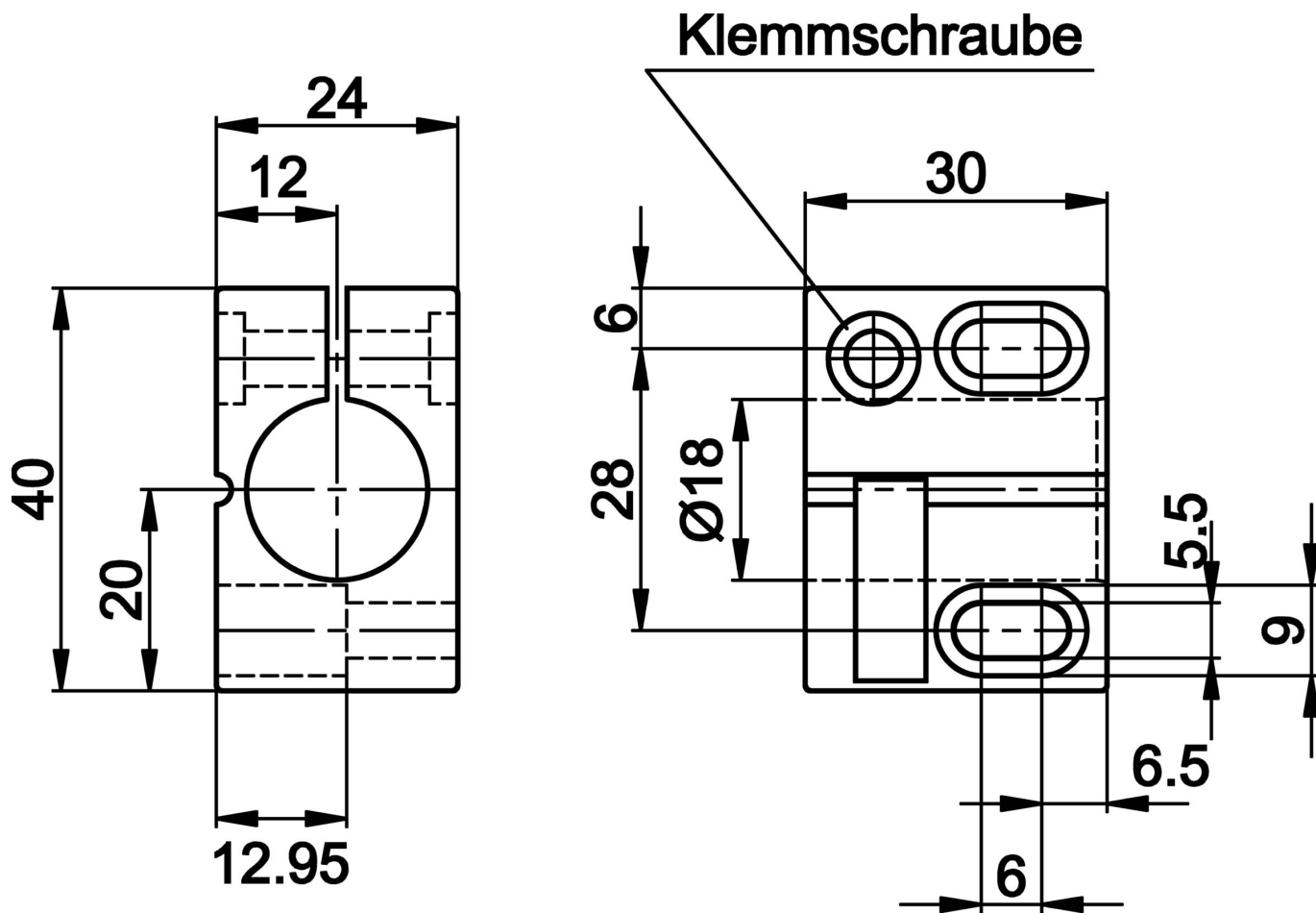
Classification

ETIM 8	EC000127 Fixing clamp for cables/tubes
--------	--

More

IPF Product Group	900 accessories
packaging dimensions	120 x 100 x 29 mm
gross weight	22 g
Customs tariff number	39269097
WEEE number	40951076
OzDS-compliant	Yes
POP-compliant	Yes
Reach-compliant	Yes
RoHS-compliant	Yes

Dimensional drawing



Extract accessories program

AY000053



accessories sensor, Fixture kit,
Plastic

AY000054



accessories sensor, Mounting
angle bracket, 61x30x40mm,
Mounting material for holder,
Plastic, 90°

You can find further accessories on our homepage



Installation

Mounting / installation may only be carried out by a qualified electrician!



Disposal

WEEE number according to § 6 para. 3
ElektroG: 40951076

Safety warnings

/ Before initial operation, please make sure to follow all safety instructions that may be provided in the product information.

/ Never use these devices in applications where the safety of a person depends on their functionality.