

AY000056

stop tappet • Holders for stop tappets

Accessories Sensor, holder, M12, aluminum

including Nut



The stop tappet system is ideal when contactless inquiry is not possible or can be prevented. The movement absorbed via the actuating element is guided through the housing via a shaft and pushes out a metal surface on the other side, which can be detected by an inductive sensor. This enables fully electronic inquiry without the risk of damaging the sensor. This holder serves as a connecting piece between the plunger and the sensor in this system. It is compatible with a whole range of plungers and sensors. Made from stainless steel, the AY000056 is suitable for flush-mounted inductive sensors of the Ix12 design.

Mechanical features

Design	Straight
Length	25 mm
Wrench size	14 mm
Material	Stainless steel

Other features

Suitable for	Design Ix12 - flush
--------------	---------------------

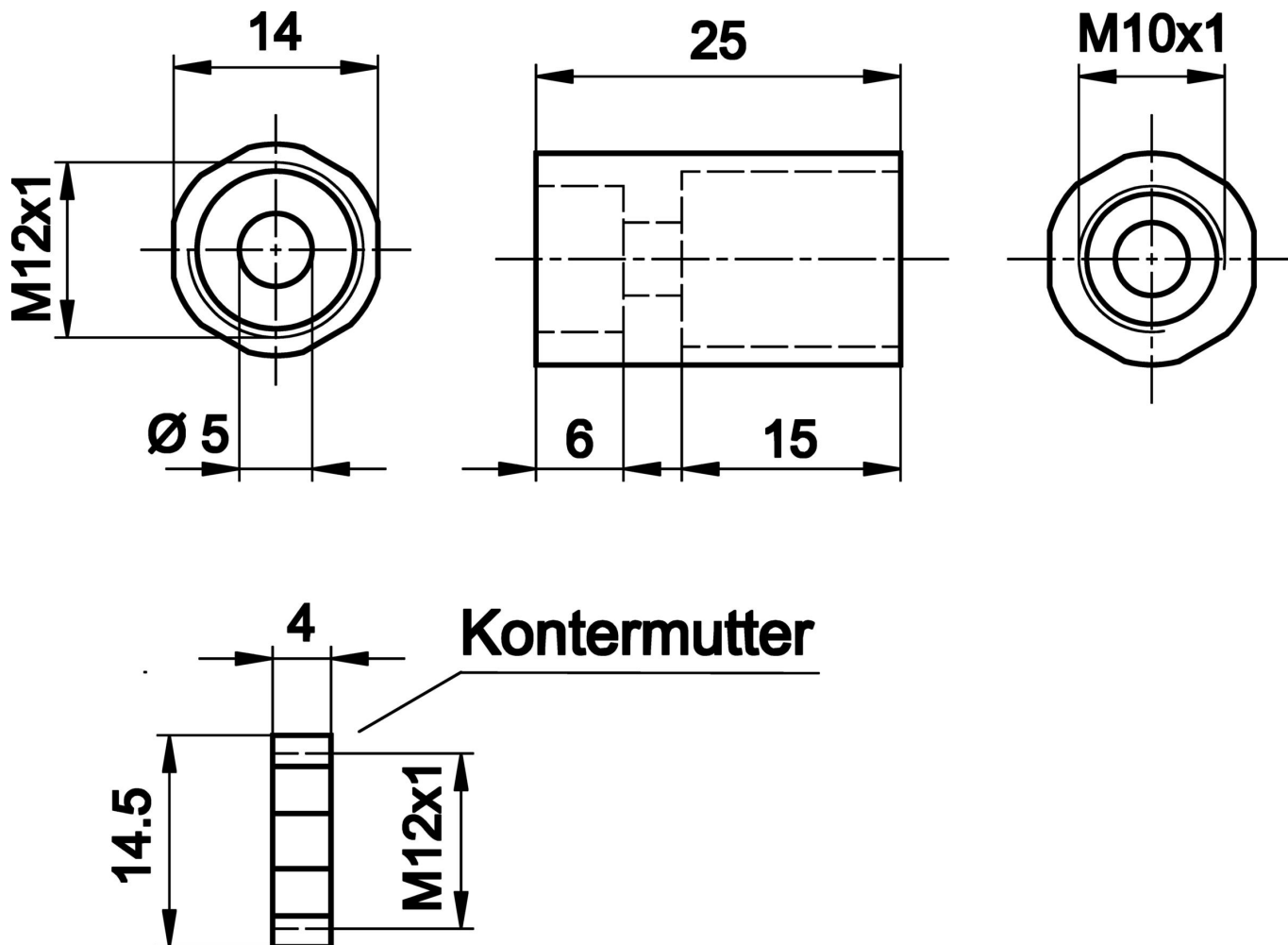
Classification

ETIM 8	EC002024 Accessories/spare parts for command devices
--------	--

More

IPF Product Group	900 accessories
packaging dimensions	120 x 100 x 15 mm
gross weight	10 g
Customs tariff number	73181900
WEEE number	40951076
Reach-compliant	Yes
RoHS-compliant	Yes

Dimensional drawing



Extract accessories program

IB120100



sensor inductive, M12x1 52long, Flush, Sn: 3, 10-30V DC, PNP NO, Cable 2m PVC, IP67, Brass Nickel-plated

IB120104



sensor inductive, M12x1 36long, Flush, Sn: 3, 10-30V DC, PNP NO, Cable 2m PVC, IP67, Brass Nickel-plated

AY000031



Accessories Sensor, limit stop, M8x1 41long, steel, plunger

AY000033



Accessories Sensor, limit stop, M8x1 41long, steel, plunger

AY000040



Accessories Sensor, limit stop, M12x1 77long, steel, plunger

AY000068



Accessories Sensor, limit stop, M12x1 77lang, stainl. steel, plunger

You can find further accessories on our homepage



Installation

Mounting / installation may only be carried out by a qualified electrician!



Disposal

WEEE number according to § 6 para. 3 ElektroG: 40951076

Safety warnings

- / Before initial operation, please make sure to follow all safety instructions that may be provided in the product information.
- / Never use these devices in applications where the safety of a person depends on their functionality.