

## AY000062

### Accessories • Mounting

accessories sensor, Ø30mm, Plastic, For sensor 30mm, for Wall mounting, Screw mounting, With positive stop



#### Mechanical features

Diameter	30 mm
For sensor	30mm
Mounting method	Screw mounting
Nominal diameter	30 mm
To fix to	Wall mounting

#### Other features

Version	With positive stop
---------	--------------------

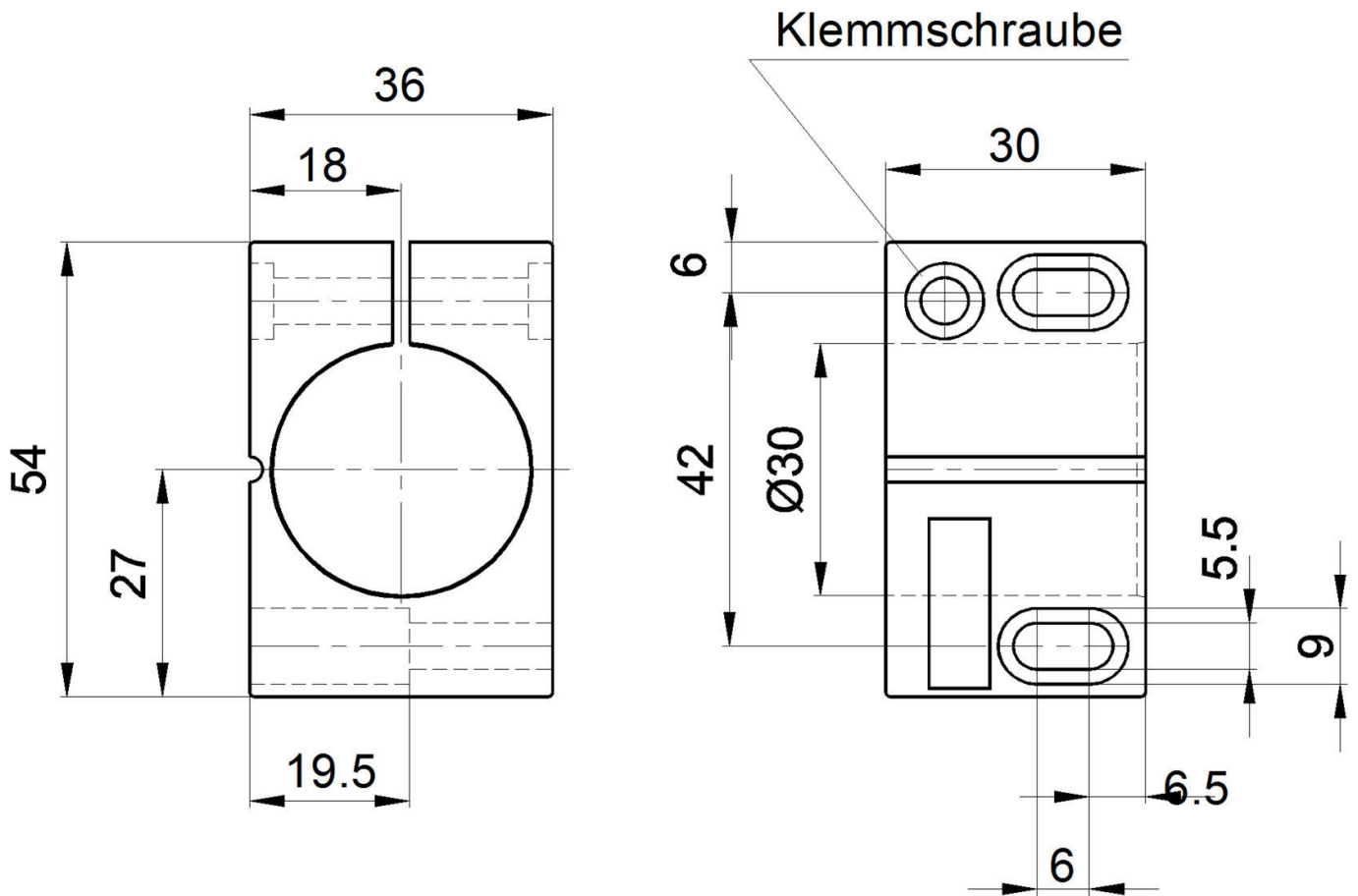
#### Classification

ETIM 8	EC000127 Fixing clamp for cables/tubes
--------	--

#### More

IPF Product Group	900 accessories
packaging dimensions	100 x 70 x 32 mm
gross weight	40 g
Customs tariff number	39269097
WEEE number	40951076
OzDS-compliant	Yes
POP-compliant	Yes
Reach-compliant	Yes
RoHS-compliant	Yes

**Dimensional drawing**



**Installation**

Mounting / installation may only be carried out by a qualified electrician!



**Disposal**

WEEE number according to § 6 para. 3  
ElektroG: 40951076

**Safety warnings**

- / Before initial operation, please make sure to follow all safety instructions that may be provided in the product information.
- / Never use these devices in applications where the safety of a person depends on their functionality.