

AY000069

stop tappet • Holders for stop tappets

Accessories Sensor, holder, M8x1, aluminum



The stop tappet system is ideal when contactless inquiry is not possible or can be prevented. The movement absorbed via the actuating element is guided through the housing via a shaft and pushes out a metal surface on the other side, which can be detected by an inductive sensor. This enables fully electronic inquiry without the risk of damaging the sensor.

This holder serves as a connecting piece between the plunger and the sensor in this system. It is compatible with a whole range of plungers and sensors.

Made of aluminum, the AY000069 is suitable for flush-mounted inductive sensors of the Ix08 design.

Mechanical features

Design	Straight
Length	22 mm
Material	Aluminum

Other features

Suitable for	Design Ix08 - flush
--------------	---------------------

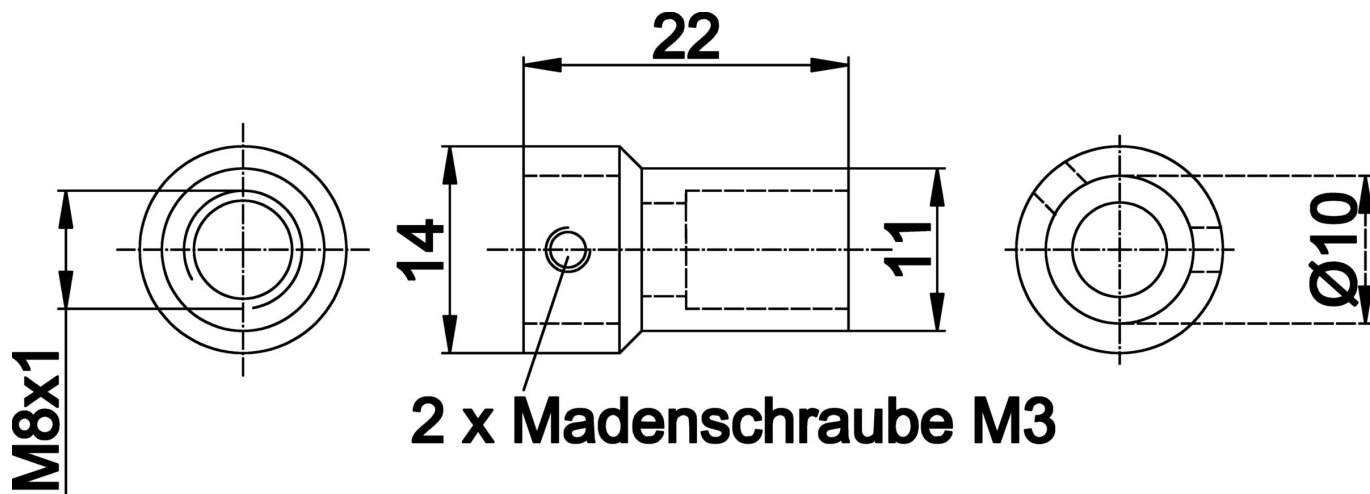
Classification

ETIM 8	EC002024 Accessories/spare parts for command devices
--------	--

More

IPF Product Group	900 accessories
packaging dimensions	120 x 100 x 13 mm
gross weight	5 g
Customs tariff number	76169990
WEEE number	40951076
Reach-compliant	Yes
RoHS-compliant	Yes

Dimensional drawing



Extract accessories program

AY000162



Accessories, magnetic, Ø43mm, neodymium-iron-boron, inside thread M5, rubber

AY000159



accessories sensor, Mounting pipe, Ø12mm 200long, Aluminum Anodised

AY000040



Accessories Sensor, limit stop, M12x1 77long, steel, plunger

AY000068



Accessories Sensor, limit stop, M12x1 77long, stainl. steel, plunger

IA080100



sensor inductive, preferential, M8x1 40long, Flush, Sn: 1.5, 10-30V DC, PNP NO, Cable 2m PVC, IP67, Brass Nickel-plated

IA080170



sensor inductive, preferential, M8x1 50long, Flush, Sn: 1.5, 10-30V DC, PNP NO, Connector M8 3pin, IP67, Brass Nickel-plated

AY000031



Accessories Sensor, limit stop, M8x1 41long, steel, plunger

AY000033



Accessories Sensor, limit stop, M8x1 41long, steel, plunger

You can find further accessories on our homepage



Installation

Mounting / installation may only be carried out by a qualified electrician!



Disposal

WEEE number according to § 6 para. 3 ElektroG: 40951076

Safety warnings

/ Before initial operation, please make sure to follow all safety instructions that may be provided in the product information.

/ Never use these devices in applications where the safety of a person depends on their functionality.