

AY000081

stop tappet • Stop tappets

Accessories Sensor, limit stop, M8x1 99long, steel, plunger

including Nut



Increased approach path

The stop tappet system is ideal when contactless inquiry is not possible or can be prevented. The movement absorbed via the actuating element is guided through the housing via a shaft and pushes out a metal surface on the other side, which can be detected by an inductive sensor. This enables fully electronic inquiry without the risk of damaging the sensor. The actuating element is returned via a spring and a stroke limiter prevents contact with the sensor. The complete system includes a suitable holder as a connecting piece to a separate sensor. The 99mm long AY000081 made of steel can withstand an actuating force of 1000N. An M8x1mm thread is cut into the housing for fastening.

Electrical features

Absolute repeat accuracy	0.01 mm
--------------------------	---------

Mechanical features

Thread length	65 mm
Thread pitch	1 mm
Length	99 mm
Wrench size	10 mm
Housing material	Steel
Max. limit stop energy	1000.00 N
Limit stop stroke	1.00 mm
Operating force	3,00 N
Thread dimension	M8

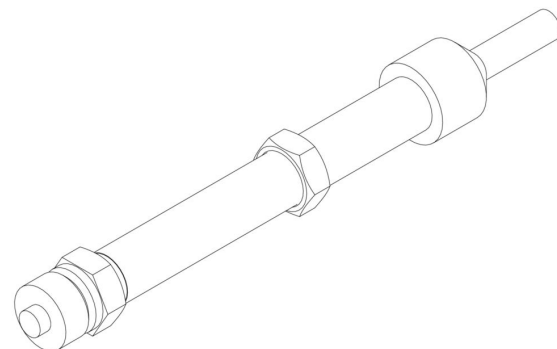
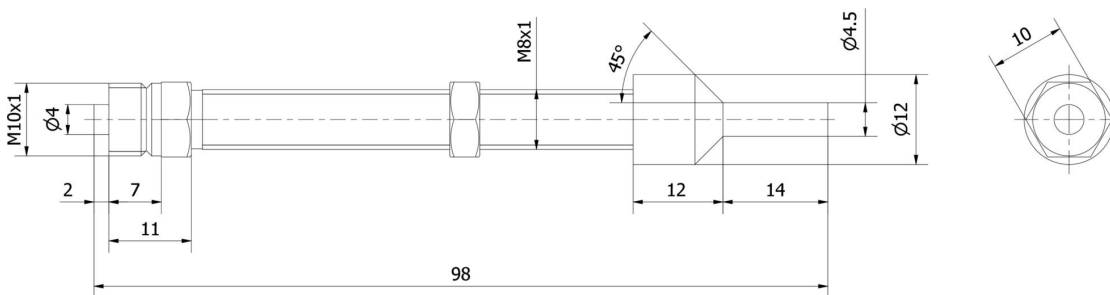
Classification

ETIM 8	EC002024 Accessories/spare parts for command devices
--------	--

More

IPF Product Group	900 accessories
packaging dimensions	120 x 100 x 15 mm
gross weight	31 g
Customs tariff number	73181900
WEEE number	40951076
Reach-compliant	Yes
RoHS-compliant	Yes

Dimensional drawing



Extract accessories program

AY000029



Accessories Sensor, holder, $\varnothing 6$.
5mm 20 long

AY000030



Accessories Sensor, holder,
13x17x35mm, aluminum, left limit
stop

AY000162



Accessories, magnetic, $\varnothing 43$ mm,
neodymium-iron-boron, inside
thread M5, rubber

AY000159



accessories sensor, Mounting
pipe, $\varnothing 12$ mm 200long, Aluminum
Anodised

You can find further accessories on our homepage

**Installation**

Mounting / installation may only be carried out by a qualified electrician!

**Disposal**

WEEE number according to § 6 para. 3
ElektroG: 40951076

Safety warnings

- / Before initial operation, please make sure to follow all safety instructions that may be provided in the product information.
- / Never use these devices in applications where the safety of a person depends on their functionality.