

AY000100

Accessories • Mounting

accessories sensor, Mounting angle bracket, 42x26x46mm, Toothed washer for sensor, bracket, Stainless steel

including Toothed washer



Mechanical features

Width	46 mm
Diameter of screw-on mounting	6
Height	42 mm
Length	26 mm
Mounting method	Screw mounting
Material	Stainless steel

Other features

Version	Angular
---------	---------

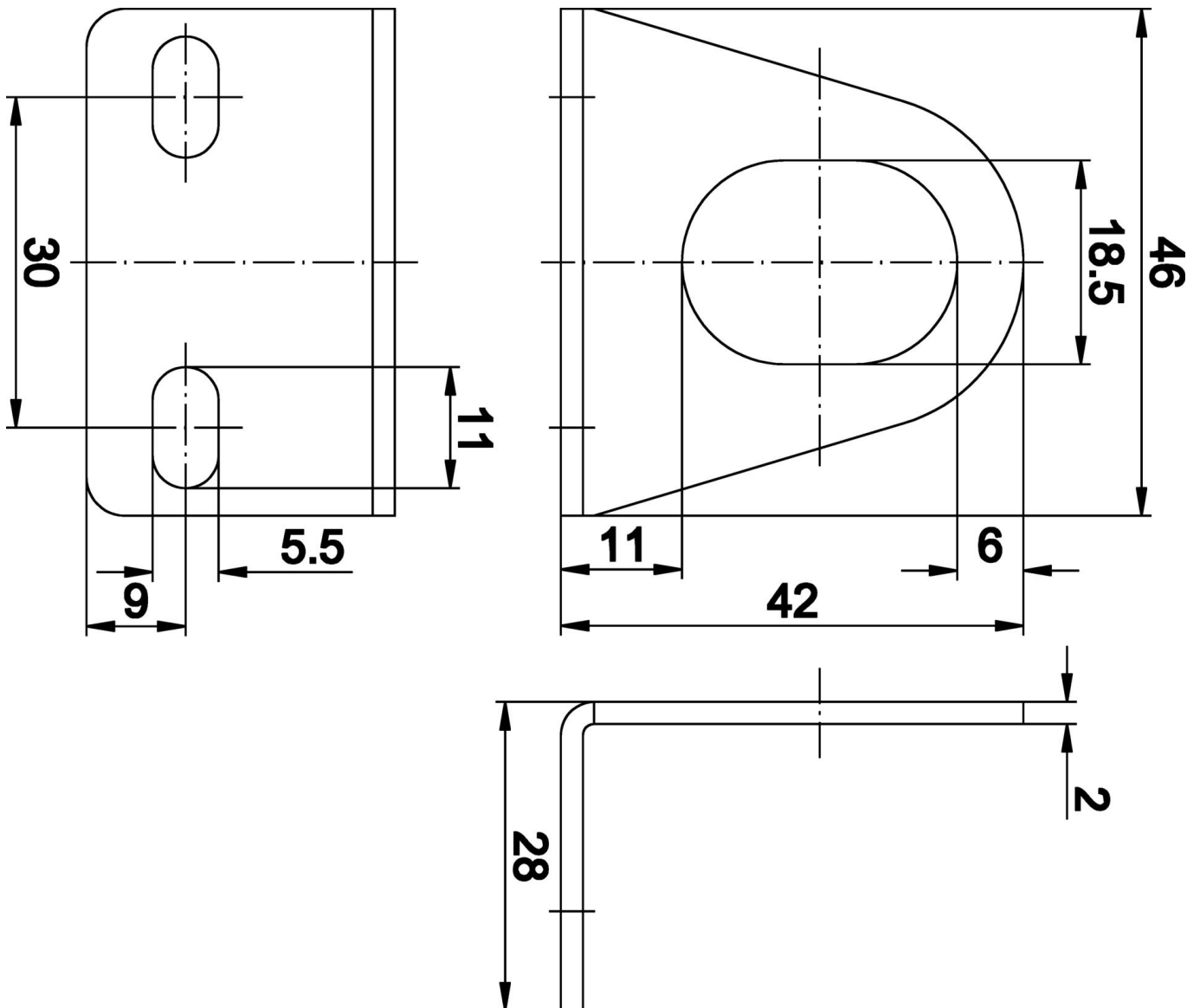
Classification

ETIM 8	EC002625 Mounting accessories (control cabinet)
--------	---

More

IPF Product Group	900 accessories
packaging dimensions	120 x 100 x 33 mm
gross weight	38 g
Customs tariff number	73269098
WEEE number	40951076
OzDS-compliant	Yes
POP-compliant	Yes
Reach-compliant	Yes
RoHS-compliant	Yes

Dimensional drawing



Installation

Mounting / installation may only be carried out by a qualified electrician!



Disposal

WEEE number according to § 6 para. 3
ElektroG: 40951076

Safety warnings

- / Before initial operation, please make sure to follow all safety instructions that may be provided in the product information.
- / Never use these devices in applications where the safety of a person depends on their functionality.