

AY000101

Accessories • Mounting

accessories sensor, Mounting angle bracket, 58x28x58mm, Toothed washer for sensor, bracket, Stainless steel

including Toothed washer



Mechanical features

Width	58 mm
Diameter of screw-on mounting	6
Height	58 mm
Length	28 mm
Mounting method	Screw mounting
Material	Stainless steel

Other features

Version	Angular
---------	---------

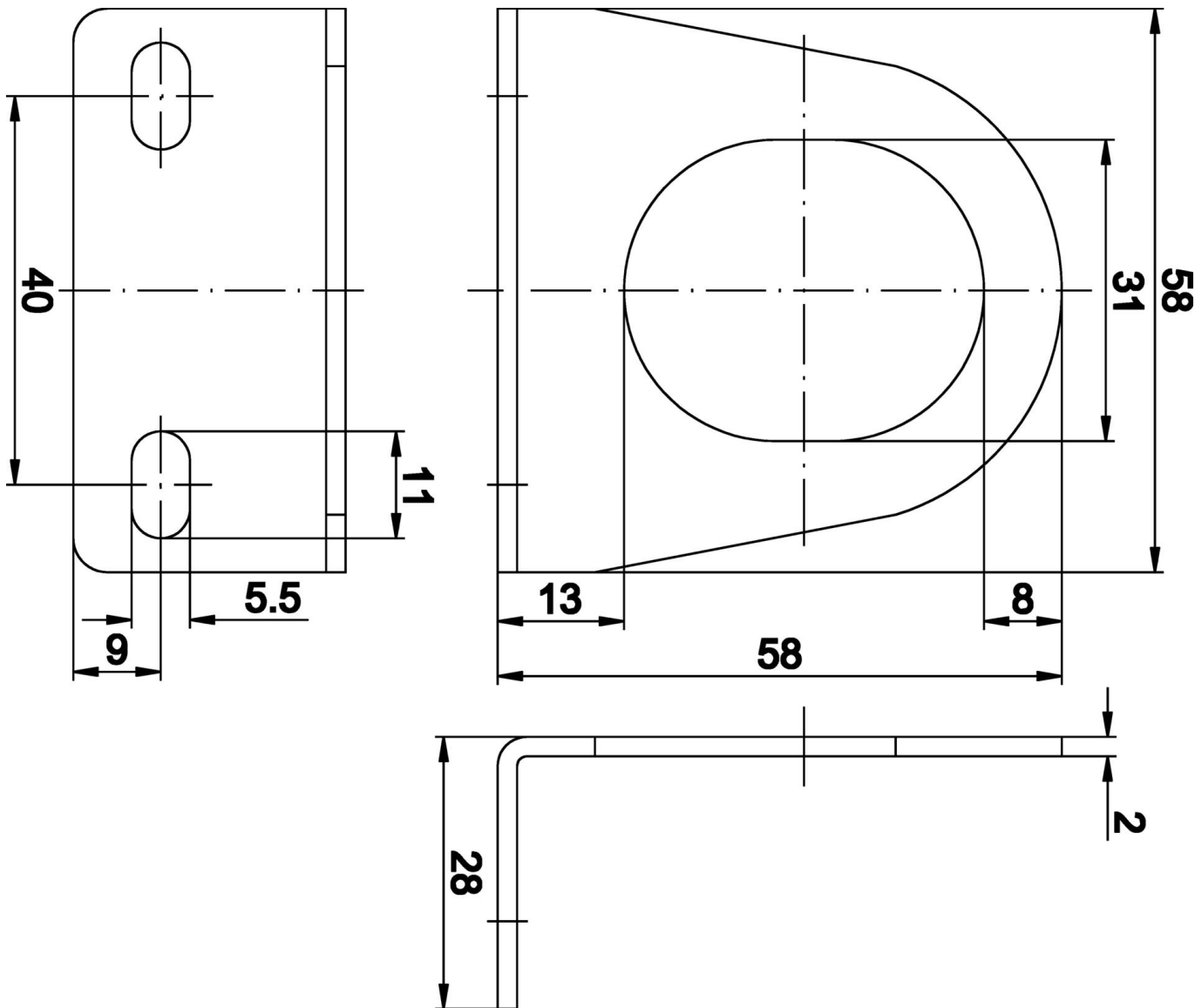
Classification

ETIM 8	EC002625 Mounting accessories (control cabinet)
--------	---

More

IPF Product Group	900 accessories
packaging dimensions	175 x 100 x 30 mm
gross weight	70 g
Customs tariff number	73269098
WEEE number	40951076
OzDS-compliant	Yes
POP-compliant	Yes
Reach-compliant	Yes
RoHS-compliant	Yes

Dimensional drawing



Extract accessories program

AY000129



Accessories, magnetic, Ø66mm, neodymium-iron-boron, inside thread M6, rubber

AY000144



accessories sensor, Adapter plate, 3x30x85mm, Stainless steel 1.4305

You can find further accessories on our homepage



Installation

Mounting / installation may only be carried out by a qualified electrician!



Disposal

WEEE number according to § 6 para. 3 ElektroG: 40951076

Safety warnings

- / Before initial operation, please make sure to follow all safety instructions that may be provided in the product information.
- / Never use these devices in applications where the safety of a person depends on their functionality.