

AY000117

Accessories • Ball joint holder

accessories sensor, Fixture kit, Metal, ball joint

including Mounting plate, Screw, Washer



Mechanical features

Material	Metal
----------	-------

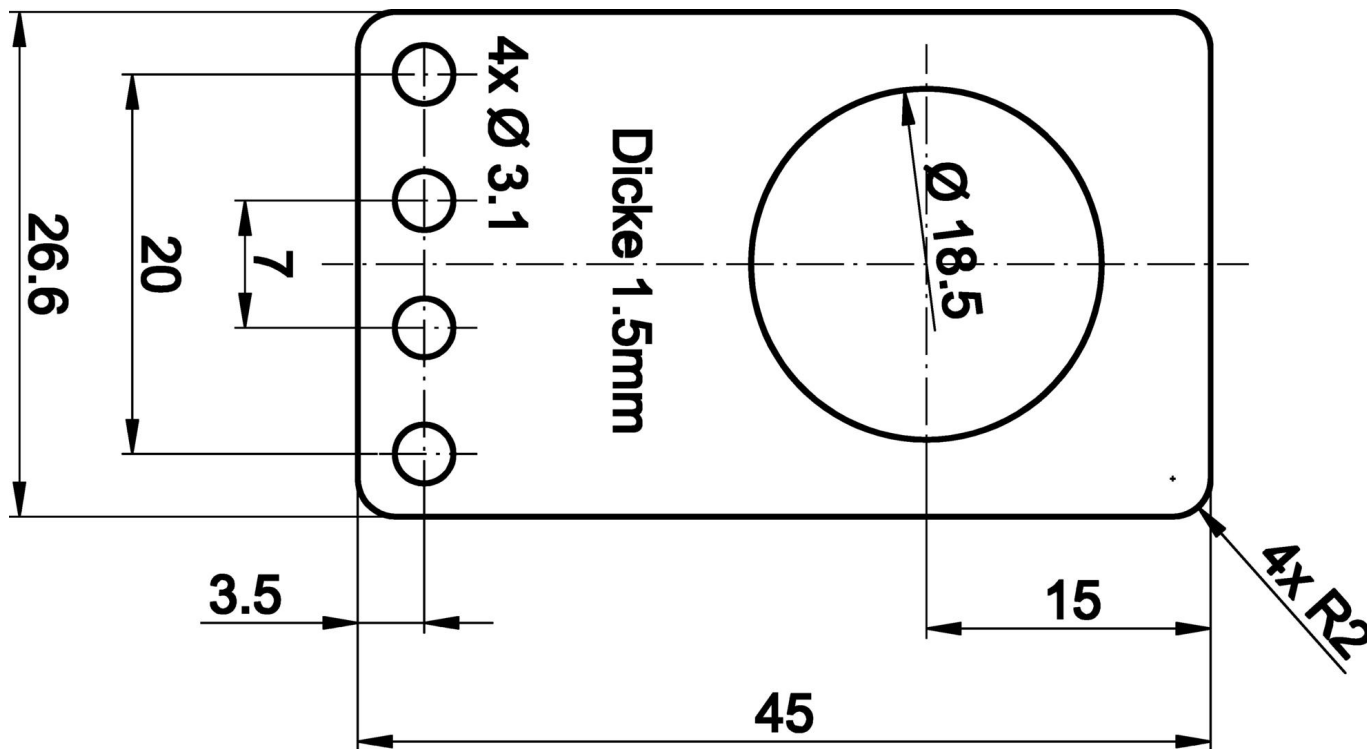
Classification

ETIM 8	EC002024 Accessories/spare parts for command devices
--------	--

More

IPF Product Group	900 accessories
packaging dimensions	100 x 70 x 25 mm
gross weight	32 g
Customs tariff number	73269098
WEEE number	40951076
Reach-compliant	Yes
RoHS-compliant	Yes

Dimensional drawing



Extract accessories program

AY000128



Accessories, magnetic, Ø47mm, hard ferrite, inside thread M6, 200°C, steel

AY000129



Accessories, magnetic, Ø66mm, neodymium-iron-boron, inside thread M6, rubber

You can find further accessories on our homepage



Installation

Mounting / installation may only be carried out by a qualified electrician!



Disposal

WEEE number according to § 6 para. 3 ElektroG: 40951076

Safety warnings

- / Before initial operation, please make sure to follow all safety instructions that may be provided in the product information.
- / Never use these devices in applications where the safety of a person depends on their functionality.