

AY000119

Accessories • Ball joint holder

accessories sensor, Fixture kit, Metal, ball joint

including Mounting plate, Screw, Washer



Mechanical features

Material	Metal
----------	-------

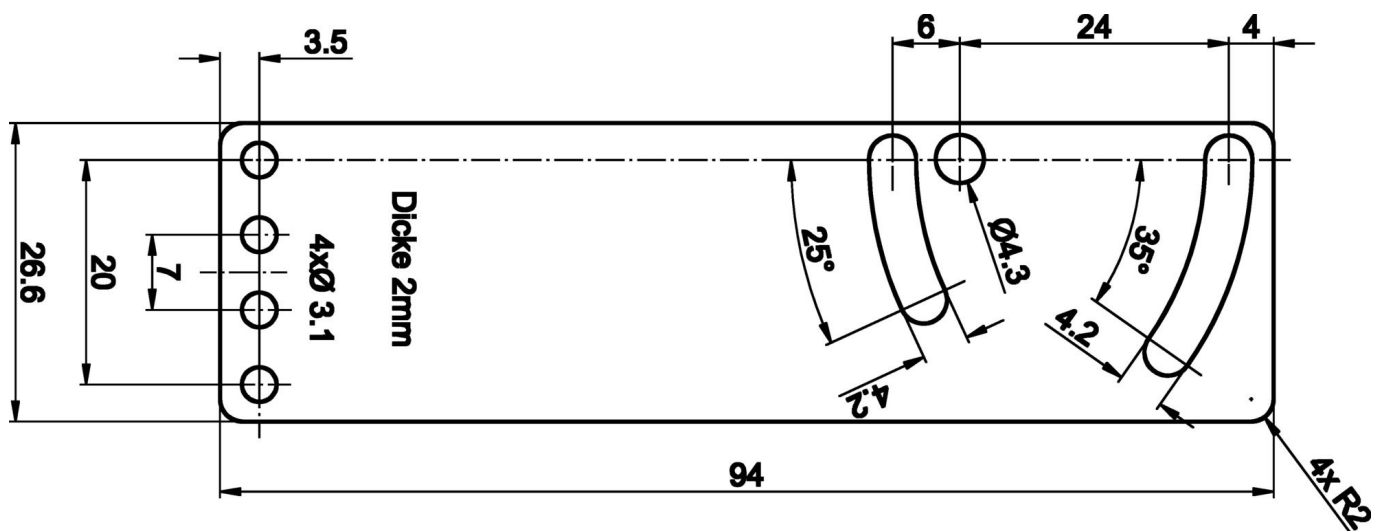
Classification

ETIM 8	EC002024 Accessories/spare parts for command devices
--------	--

More

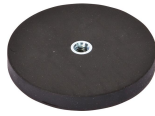
IPF Product Group	900 accessories
packaging dimensions	175 x 100 x 12 mm
gross weight	70 g
Customs tariff number	73269098
WEEE number	40951076
Reach-compliant	Yes
RoHS-compliant	Yes

Dimensional drawing



Extract accessories program**AY000128**

Accessories, magnetic, Ø47mm,
hard ferrite, inside thread M6,
200°C, steel

AY000129

Accessories, magnetic, Ø66mm,
neodymium-iron-boron, inside
thread M6, rubber

You can find further accessories on our homepage

**Installation**

Mounting / installation may only be carried out by a qualified electrician!

**Disposal**

WEEE number according to § 6 para. 3
ElektroG: 40951076

Safety warnings

- / Before initial operation, please make sure to follow all safety instructions that may be provided in the product information.
- / Never use these devices in applications where the safety of a person depends on their functionality.