

AY000135

Accessories • Optical sensors - Assembly

accessories sensor, Mounting angle bracket, M4x0.7 40long, Mounting material for sensor, brackets

including Nut, Screw, Toothed washer



Mechanical features

| | |
|-------------------------------|----------------|
| Width | 40 mm |
| Diameter of screw-on mounting | 2.7 |
| Thread pitch | 0.7 mm |
| Height | 60 mm |
| Length | 40 mm |
| Mounting method | Screw mounting |
| Thread dimension | M4 |

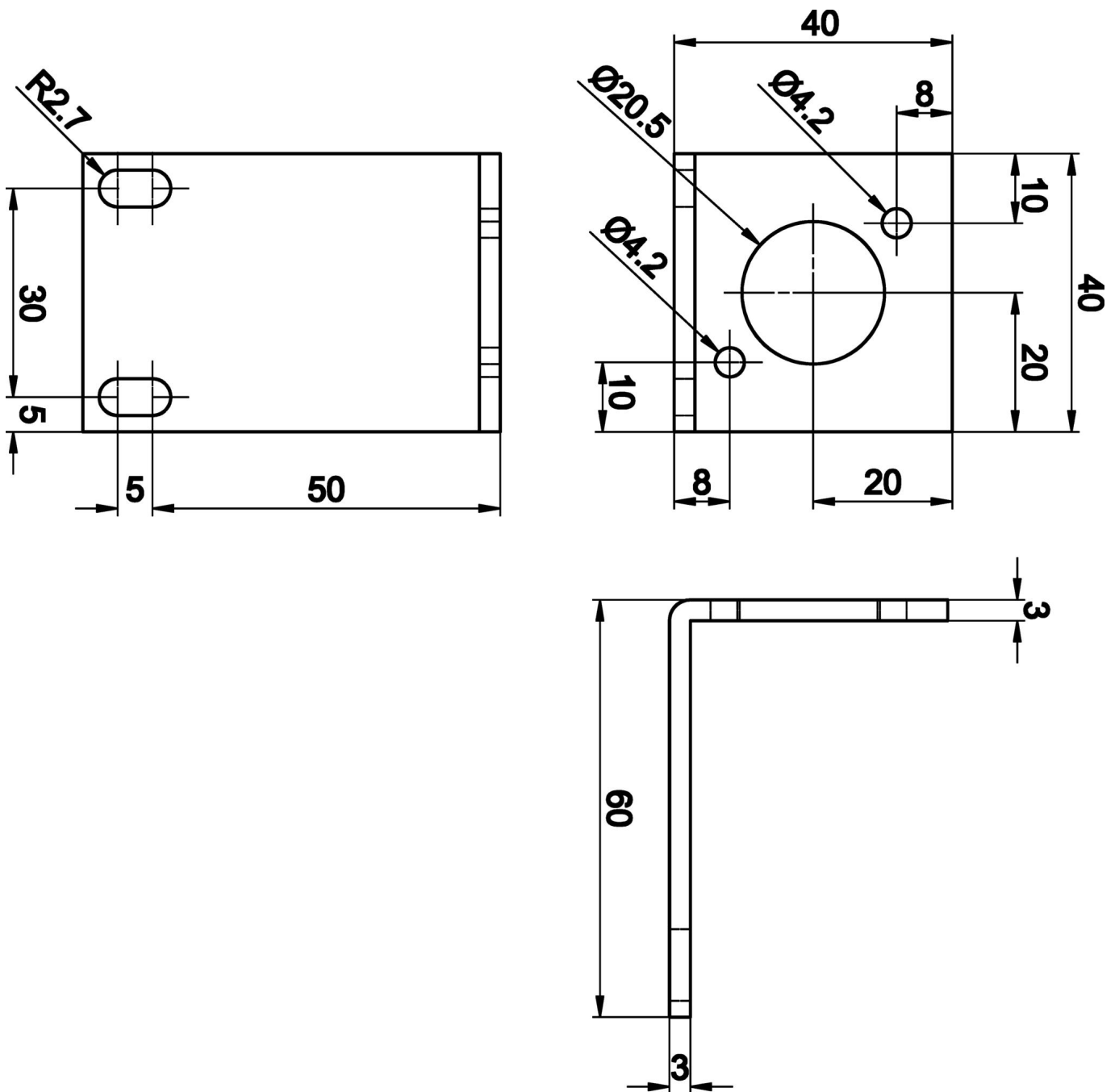
Classification

| | |
|--------|---|
| ETIM 8 | EC002625 Mounting accessories (control cabinet) |
|--------|---|

More

| | |
|-----------------------|-------------------|
| IPF Product Group | 900 accessories |
| packaging dimensions | 175 x 100 x 40 mm |
| gross weight | 80 g |
| Customs tariff number | 73269098 |
| WEEE number | 40951076 |
| Reach-compliant | Yes |
| RoHS-compliant | Yes |

Dimensional drawing



Installation

Mounting / installation may only be carried out by a qualified electrician!



Disposal

WEEE number according to § 6 para. 3
 ElektroG: 40951076

Safety warnings

- / Before initial operation, please make sure to follow all safety instructions that may be provided in the product information.
- / Never use these devices in applications where the safety of a person depends on their functionality.