

AY000145

Accessories • Mounting

accessories sensor, Adapter plate, 3x30x85mm, V2A



Mechanical features

Width	85 mm
Height	3 mm
Length	30 mm
Material	Stainless steel 1.4301
Accessories for	Ball joint holder AY000143

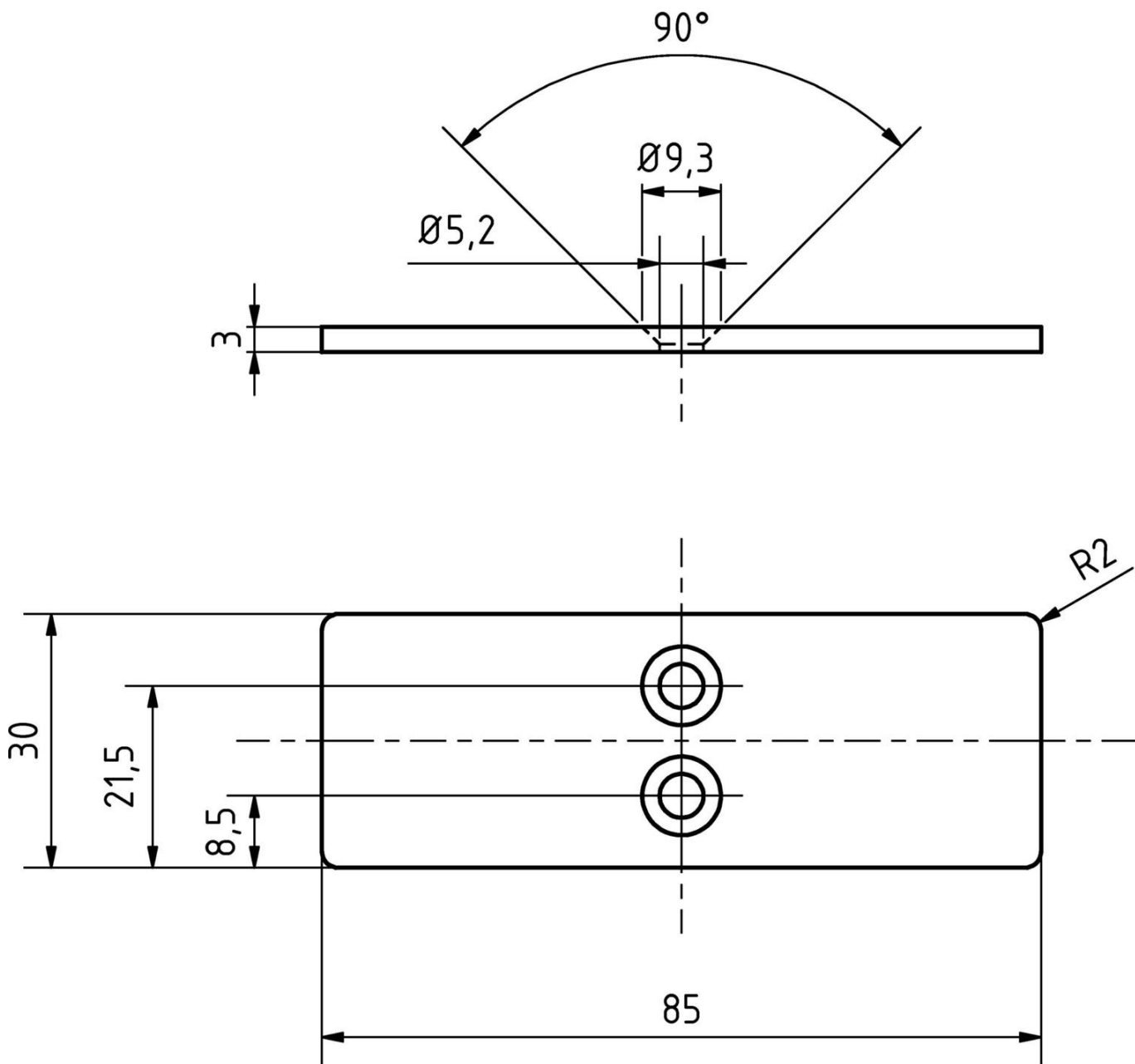
Classification

ETIM 8	EC002024 Accessories/spare parts for command devices
--------	--

More

IPF Product Group	900 accessories
packaging dimensions	170 x 100 x 3 mm
gross weight	56 g
Customs tariff number	73269098
WEEE number	40951076
Reach-compliant	Yes
RoHS-compliant	Yes

Dimensional drawing



Installation

Mounting / installation may only be carried out by a qualified electrician!



Disposal

WEEE number according to § 6 para. 3 ElektroG: 40951076

Safety warnings

- / Before initial operation, please make sure to follow all safety instructions that may be provided in the product information.
- / Never use these devices in applications where the safety of a person depends on their functionality.