

AY000146

stop tappet • Stop tappets

Accessories Sensor, limit stop, M8x1 30long, inside thread 3, steel, plunger

including Nut



The stop tappet system is ideal when contactless inquiry is not possible or can be prevented. The movement absorbed via the actuating element is guided through the housing via a shaft and pushes out a metal surface on the other side, which can be detected by an inductive sensor. This enables fully electronic inquiry without the risk of damaging the sensor. The actuating element is returned via a spring and a stroke limiter prevents contact with the sensor. The complete system includes a suitable holder as a connecting piece to a separate sensor. The 30mm long AY000146 made of steel can withstand an actuating force of 1000N. An M8x1mm thread is cut into the housing for fastening. This version also has a 5mm deep M3 internal hole cut into the actuating element.

Electrical features

Absolute repeat accuracy	0.01 mm
--------------------------	---------

Mechanical features

Thread length	15 mm
Thread pitch	1 mm
Length	30 mm
Wrench size	10 mm
Housing material	Steel
Max. limit stop energy	1000.00 N
Limit stop stroke	1.00 mm
Operating force	3,00 N
Thread dimension	M8

Other features

Features	M3x5mm internal hole in the actuator
----------	--------------------------------------

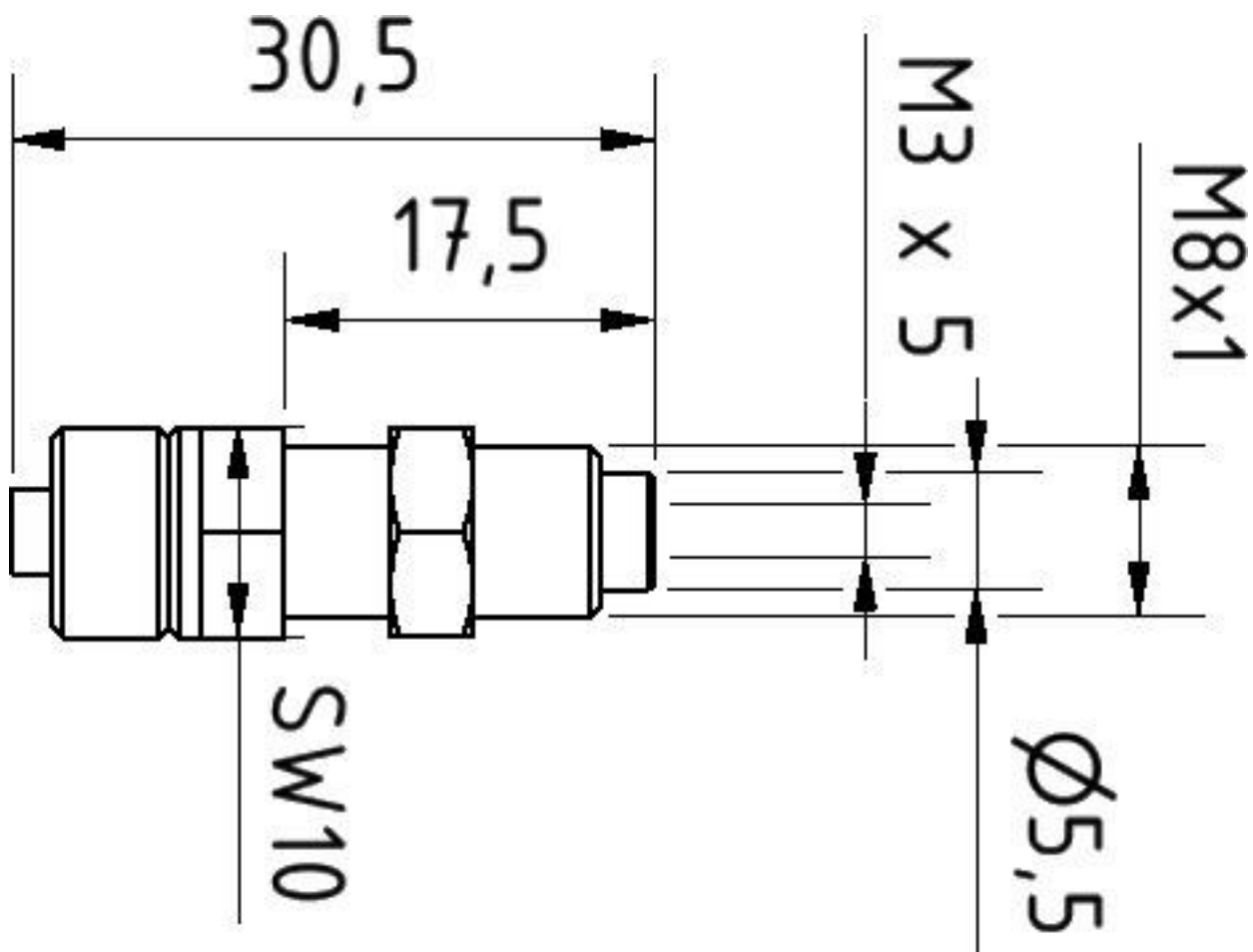
Classification

ETIM 8	EC002024 Accessories/spare parts for command devices
--------	--

More

IPF Product Group	900 accessories
packaging dimensions	170 x 100 x 8 mm
gross weight	13 g
Customs tariff number	73181900
WEEE number	40951076
Reach-compliant	Yes
RoHS-compliant	Yes

Dimensional drawing



Extract accessories program**AY000162**

Accessories, magnetic, Ø43mm,
neodymium-iron-boron, inside
thread M5, rubber

AY000159

accessories sensor, Mounting
pipe, Ø12mm 200long, Aluminum
Anodised

AY000029

Accessories Sensor, holder, Ø6.
5mm 20 long

AY000030

Accessories Sensor, holder,
13x17x35mm, aluminum, left limit
stop

You can find further accessories on our homepage

**Installation**

Mounting / installation may only be carried
out by a qualified electrician!

**Disposal**

WEEE number according to § 6 para. 3
ElektroG: 40951076

Safety warnings

/ Before initial operation, please make sure to follow all safety instructions that may be provided in the product information.

/ Never use these devices in applications where the safety of a person depends on their functionality.