

AY000153

Accessories • Nuts

accessories, Hexagon nut, M50x1.5, Wrench size 55mm, V2A



Mechanical features

Thread pitch	1.5 mm
Height	5.2 mm
Wrench size	55 mm
Screw system	External hexagon
Material	Stainless steel (V2A)
Thread dimension	M50

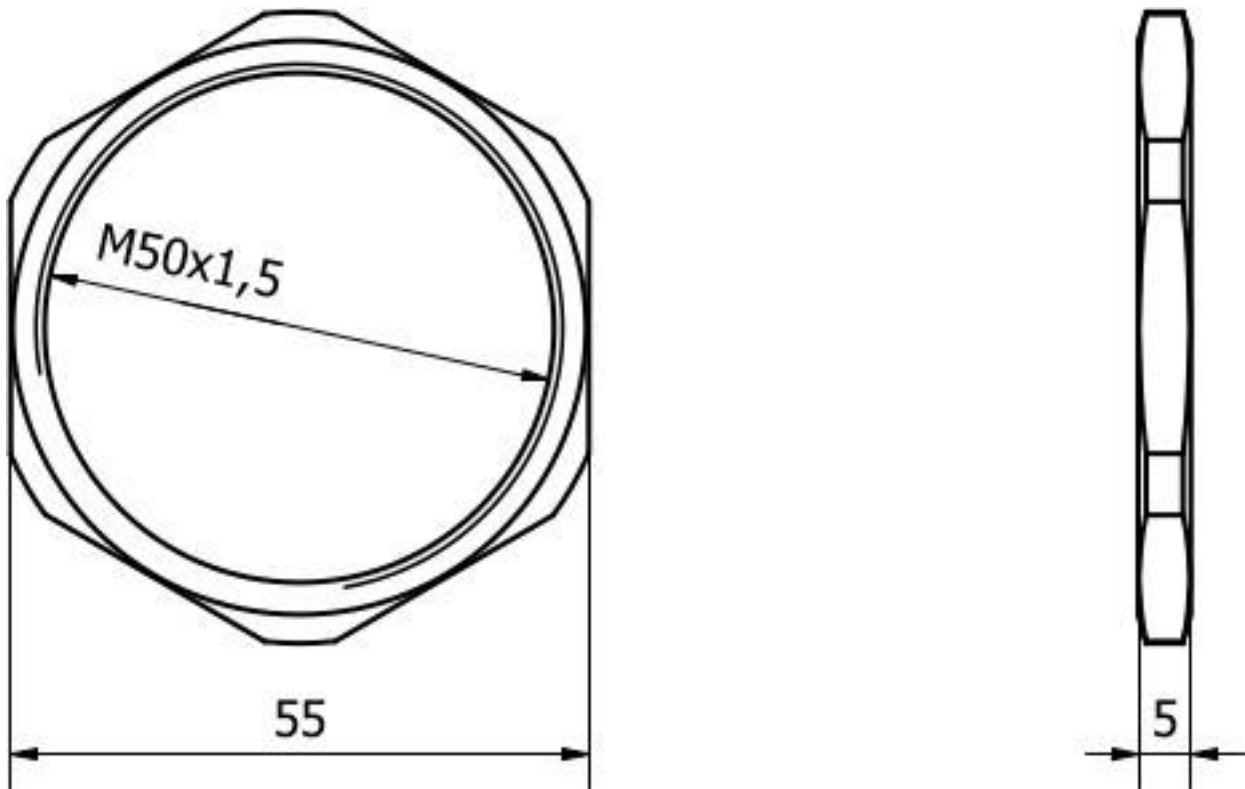
Classification

ETIM 8	EC003863 Nut
--------	--------------

More

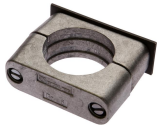
IPF Product Group	900 accessories
packaging dimensions	62 x 62 x 5 mm
gross weight	
Customs tariff number	73181639
WEEE number	40951076
Reach-compliant	Yes
RoHS-compliant	Yes

Dimensional drawing



Extract accessories program

AY000102



accessories sensor, Ø50mm,
aluminum, for sensor M50, for
wall mounting, screw mounting

AY000140



accessories sensor, Ø50mm, Steel,
For sensor M50, for Wall
mounting, Screw mounting

You can find further accessories on our homepage



Installation

Mounting / installation may only be carried out by a qualified electrician!



Disposal

WEEE number according to § 6 para. 3
ElektroG: 40951076

Safety warnings

/ Before initial operation, please make sure to follow all safety instructions that may be provided in the product information.

/ Never use these devices in applications where the safety of a person depends on their functionality.