

AY000158

Accessories • Mounting

Accessories Sensor, clamping sleeve, M36x1.5 36 long, brass white bronze for design M30



Clamping sleeves with positive stop are used for easy installation of sensors with threaded or round housings. The clamping sleeve can be fixed in a fitting panel, for example, using the two nuts supplied. The suitable sensor is then pushed into the clamping sleeve up to the limit stop. Energizing the fixing nut ensures that the sensor is securely clamped. If the sensor needs to be replaced, this type of installation saves the need for readjustment.

Electrical features

Internal hole diameter	30 mm
------------------------	-------

Mechanical features

Tightening torque	20 Nm
Thread length	20.5 mm
Thread pitch	1.5 mm
Length	36 mm
Surface	white bronze
Housing material	Brass
Accessories for	30mm
Tightening torque of the fastening nuts	40 Nm
Thread dimension	M36

Other features

Suitable for	Bauform M30
Version	Clamping sleeve

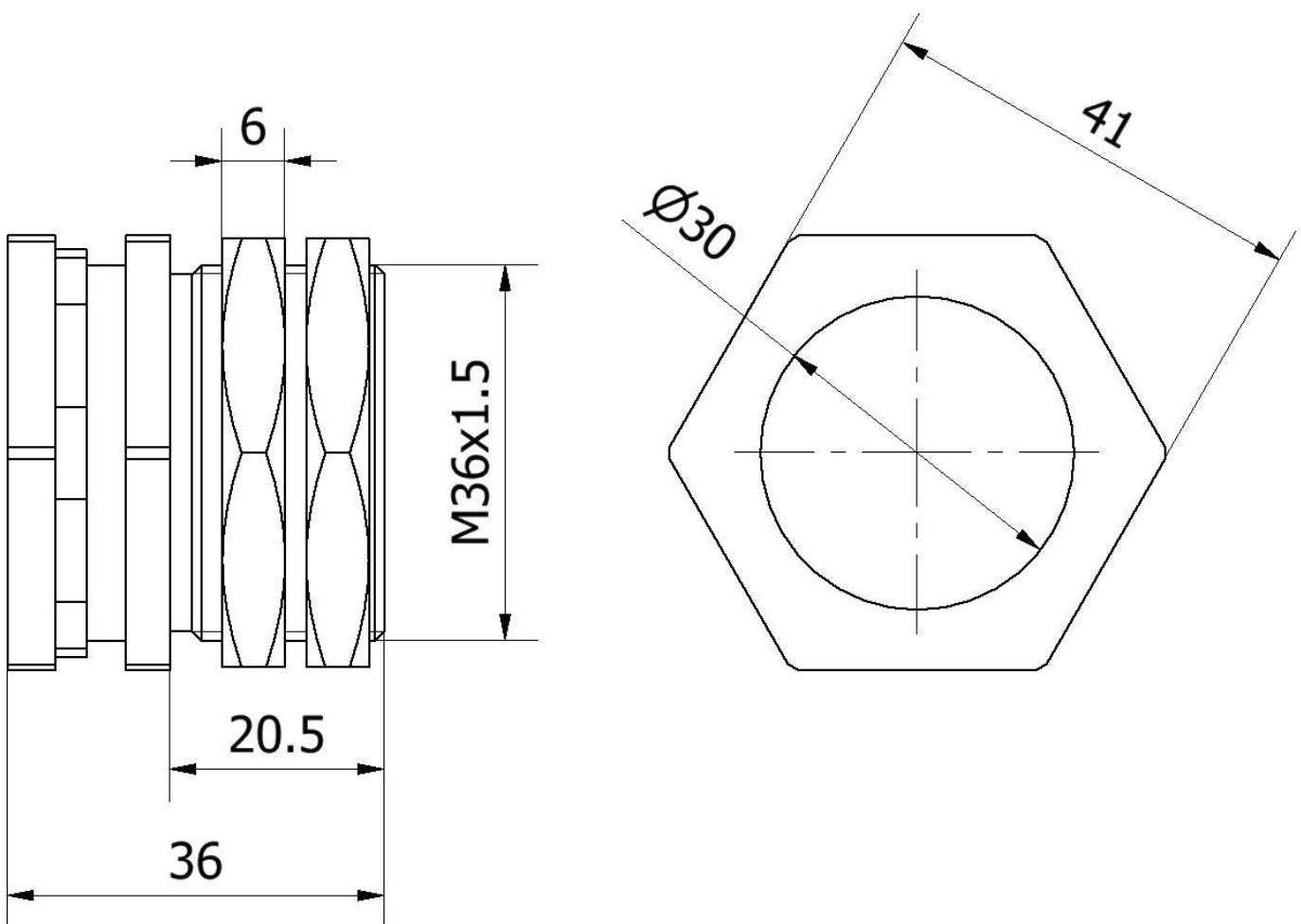
Classification

ETIM 8	EC002024 Accessories/spare parts for command devices
--------	--

More

IPF Product Group	900 accessories
packaging dimensions	150 x 100 x 40 mm
gross weight	142 g
Customs tariff number	74153300
WEEE number	40951076
OzDS-compliant	Yes
POP-compliant	Yes
Reach-compliant	Yes
RoHS-compliant	Yes

Dimensional drawing



Installation

Mounting / installation may only be carried out by a qualified electrician!



Disposal

WEEE number according to § 6 para. 3 ElektroG: 40951076

Safety warnings

- / Before initial operation, please make sure to follow all safety instructions that may be provided in the product information.
- / Never use these devices in applications where the safety of a person depends on their functionality.