

## AY000162

### Accessories • Installation - pipe installation system

Accessories, magnetic, Ø43mm, neodymium-iron-boron, inside thread M5, rubber



Magnetic for attaching clamp holders

#### Mechanical features

Design	Round
Diameter	43 mm
Housing material	Rubber
Thread dimension of the internal hole	M5
Ambient temperature	-20 - 80 °C
Magnet material	Neodymium-iron-boron

#### Other features

Version	Magnetic holder
---------	-----------------

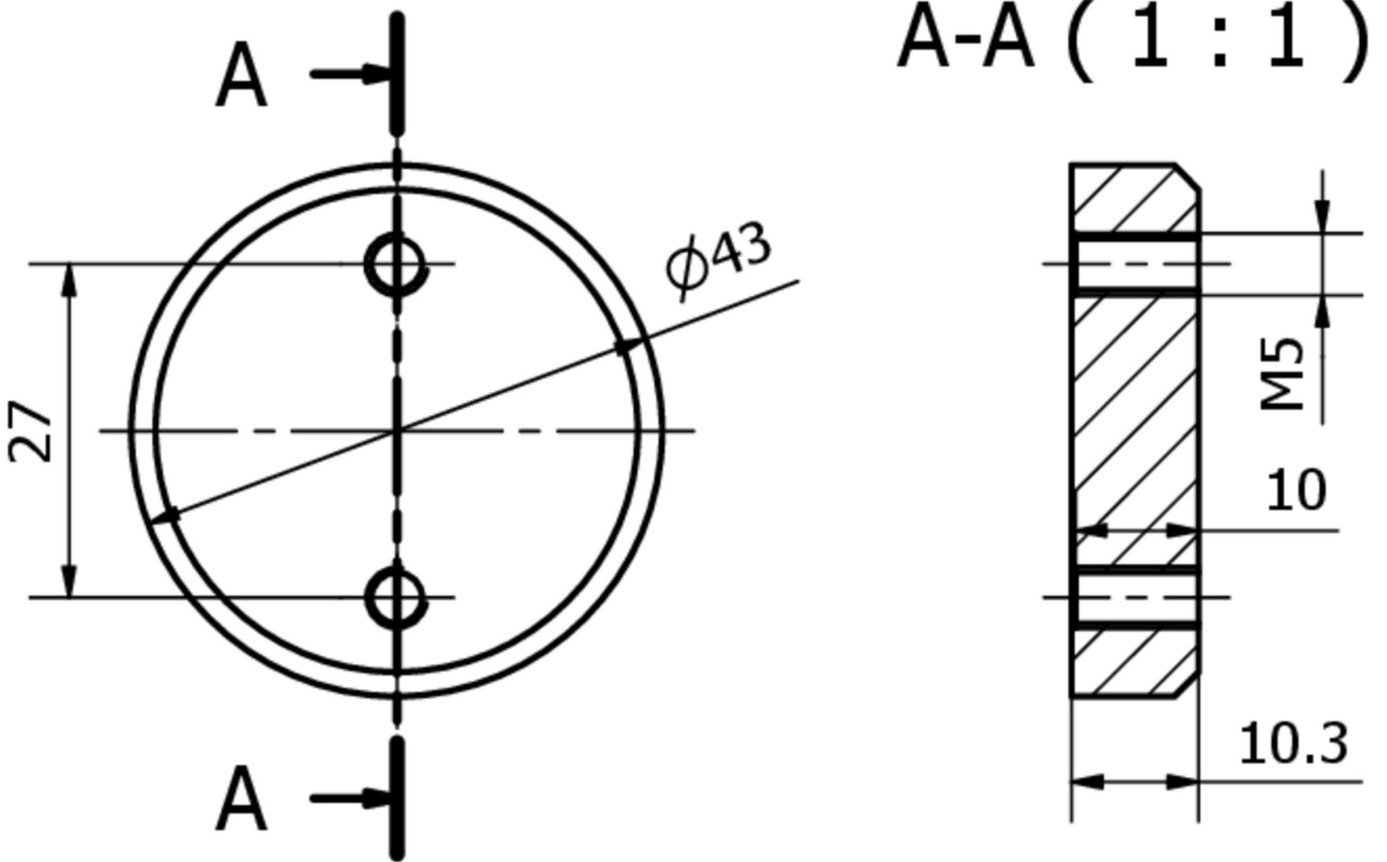
#### Classification

ETIM 8	EC001769 Holding magnet for door hold-open system
--------	---

#### More

IPF Product Group	900 accessories
packaging dimensions	115 x 55 x 35 mm
gross weight	40 g
Customs tariff number	85051110
WEEE number	40951076
POP-compliant	Yes
Reach-compliant	Yes
RoHS-compliant	Yes

**Dimensional drawing**



**Installation**

Mounting / installation may only be carried out by a qualified electrician!



**Disposal**

WEEE number according to § 6 para. 3  
 ElektroG: 40951076

**Safety warnings**

**/** Before initial operation, please make sure to follow all safety instructions that may be provided in the product information.

**/** Never use these devices in applications where the safety of a person depends on their functionality.