

## AY000164

### Accessories • Installation - pipe installation system

Sensor accessories, surface-mounted terminal holder, 16x32x16mm, inside thread 6, aluminum



This mounting system is suitable for mounting sensors anywhere. For the mounting tubes with a diameter of 12 mm, which are available in lengths of 200 and 500 mm, there is a wide range of clamp holders that can be used to securely attach the tubes. The mounting clamp holder is equipped with an M6 inside thread. Both the mounting brackets and the universal mounting brackets with ball head can be attached to it. For the foot clamp holder AY000161 and the clamp holder AY000163, the magnetic AY000162 is also available, with which the mounting structure can be easily attached to a magnetic machine part.

#### Electrical features

Internal hole diameter	12 mm
------------------------	-------

#### Mechanical features

Width	16 mm
Thread pitch	1 mm
Height	16 mm
Length	32 mm
Material	Aluminum
Thread dimension of the internal hole	M6

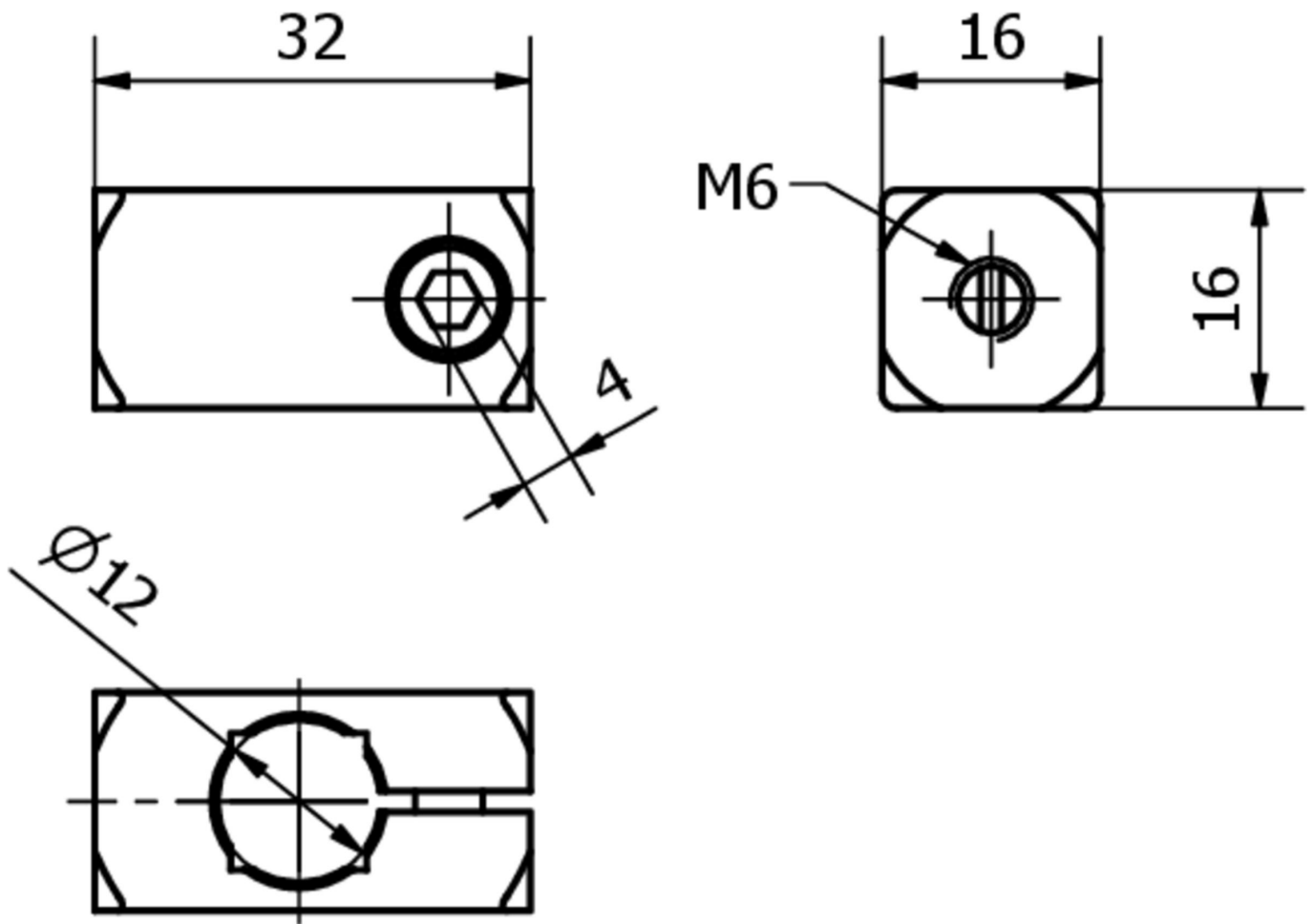
#### Classification

ETIM 8	EC002024 Accessories/spare parts for command devices
--------	--

#### More

IPF Product Group	900 accessories
packaging dimensions	120 x 100 x 16 mm
gross weight	17 g
Customs tariff number	76090000
WEEE number	40951076
POP-compliant	Yes
Reach-compliant	Yes
RoHS-compliant	Yes

**Dimensional drawing**



**Installation**

Mounting / installation may only be carried out by a qualified electrician!



**Disposal**

WEEE number according to § 6 para. 3  
ElektroG: 40951076

**Safety warnings**

- / Before initial operation, please make sure to follow all safety instructions that may be provided in the product information.
- / Never use these devices in applications where the safety of a person depends on their functionality.