

# AY000174

## Accessories • Mounting

Accessories Light up, rotation angle for EM65 / design M18



### Mechanical features

|                 |                 |
|-----------------|-----------------|
| Width           | 68 mm           |
| Height          | 84 mm           |
| Length          | 76.6 mm         |
| Mounting method | Screw mounting  |
| Material        | Stainless steel |

### Other features

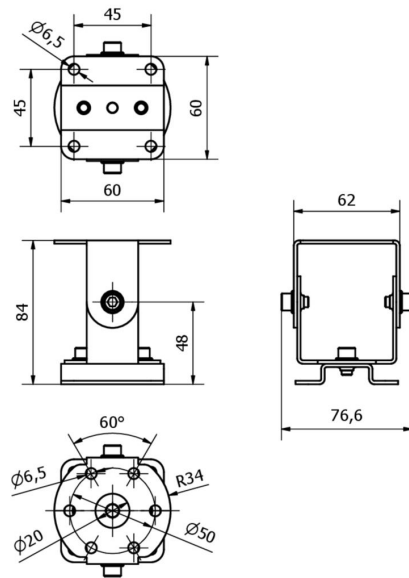
|         |                |
|---------|----------------|
| Version | Rotation angle |
|---------|----------------|

### Classification

|        |                                                      |
|--------|------------------------------------------------------|
| ETIM 8 | EC002024 Accessories/spare parts for command devices |
|--------|------------------------------------------------------|

### More

|                       |                  |
|-----------------------|------------------|
| IPF Product Group     | 900 accessories  |
| packaging dimensions  | 105 x 95 x 70 mm |
| gross weight          | 286 g            |
| Customs tariff number | 73269098         |
| WEEE number           | 40951076         |
| Reach-compliant       | Yes              |
| RoHS-compliant        | Yes              |

**Dimensional drawing****Installation**

Mounting / installation may only be carried out by a qualified electrician!

**Disposal**

WEEE number according to § 6 para. 3  
ElektroG: 40951076

**Safety warnings**

- / Before initial operation, please make sure to follow all safety instructions that may be provided in the product information.
- / Never use these devices in applications where the safety of a person depends on their functionality.