

AY000175

Accessories • Assembly - quick clips

Accessories sensor, Ø8mm, plastic, for sensor 8mm, for wall mounting, screw-on mounting



Mechanical features

Diameter	8 mm
For sensor	8mm
Mounting method	Screw mounting
Nominal diameter	8 mm
To fix to	Wall mounting

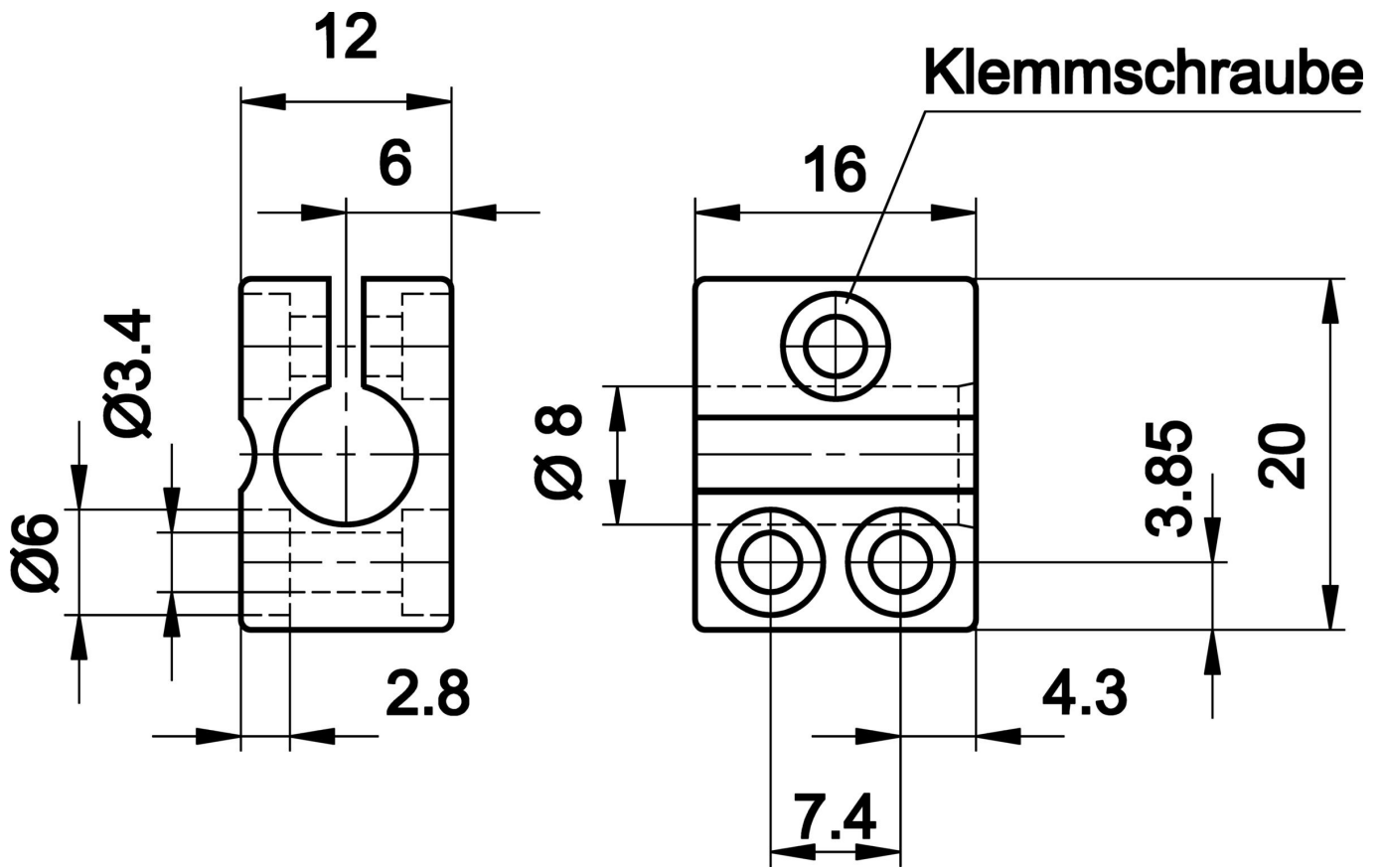
Classification

ETIM 8

More

IPF Product Group	900 accessories
packaging dimensions	170 x 120 x 50 mm
gross weight	201 g
Customs tariff number	39269097
WEEE number	40951076
OzDS-compliant	Yes
POP-compliant	Yes
Reach-compliant	Yes
RoHS-compliant	Yes

Dimensional drawing



Installation

Mounting / installation may only be carried out by a qualified electrician!



Disposal

WEEE number according to § 6 para. 3
ElektroG: 40951076

Safety warnings

- / Before initial operation, please make sure to follow all safety instructions that may be provided in the product information.
- / Never use these devices in applications where the safety of a person depends on their functionality.