

AY000183

Accessories • Optical sensors - Assembly

Accessories, mounting bracket, 57x32x33mm, bracket, stainless steel V2A

including Screw, Toothed washer



Sensor protection bracket for OT/PT34

Mechanical features

| | |
|-------------------------------|-----------------------|
| Width | 33.25 mm |
| Diameter of screw-on mounting | 4.3 |
| Height | 57 mm |
| Length | 32 mm |
| Mounting method | Screw mounting |
| Material | Stainless steel (V2A) |

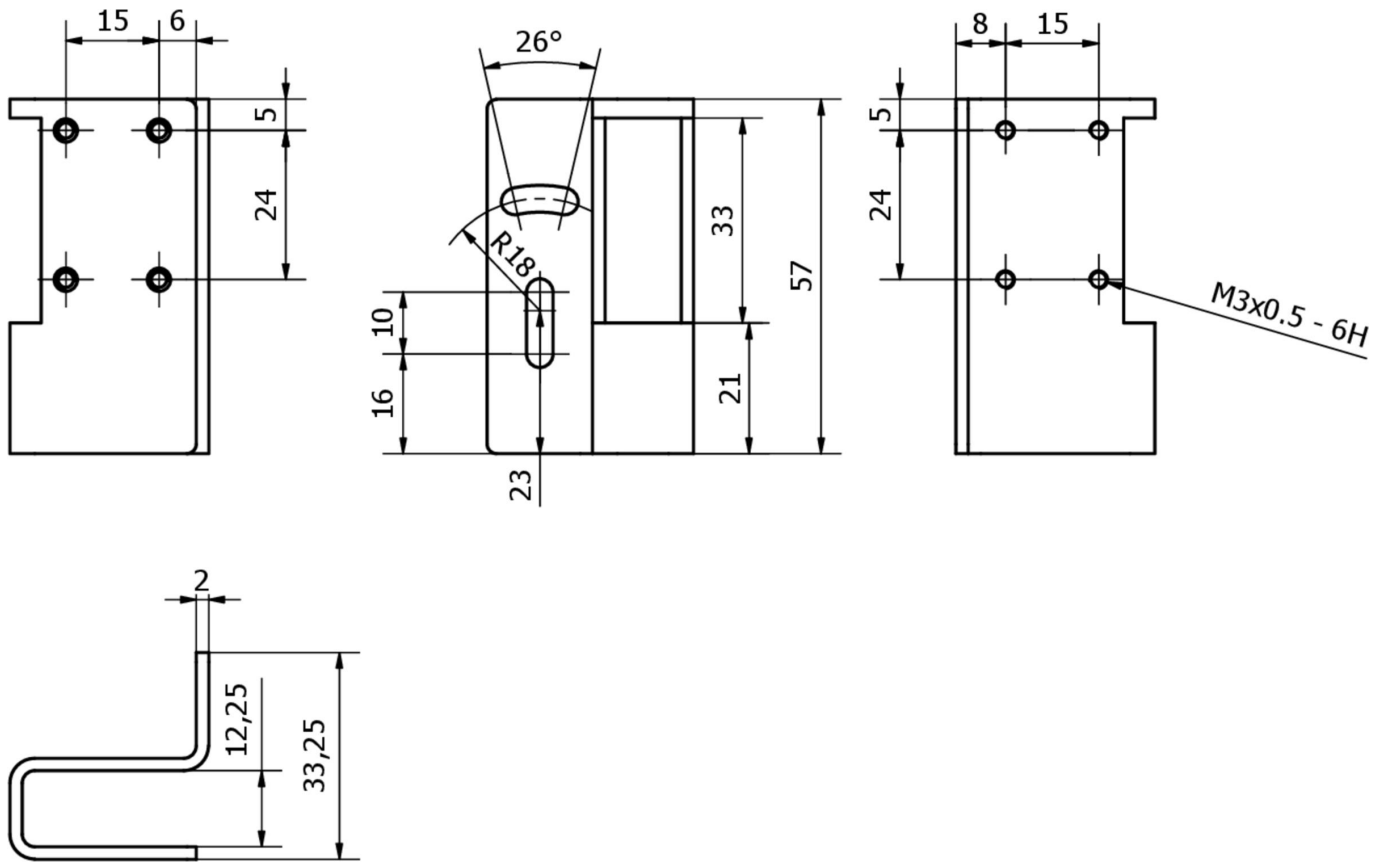
Classification

| |
|--------|
| ETIM 8 |
|--------|

More

| | |
|-----------------------|-------------------|
| IPF Product Group | 900 accessories |
| packaging dimensions | 150 x 100 x 35 mm |
| gross weight | 74 g |
| Customs tariff number | 73269098 |
| WEEE number | 40951076 |
| Reach-compliant | Yes |
| RoHS-compliant | Yes |

Dimensional drawing



Installation

Mounting / installation may only be carried out by a qualified electrician!



Disposal

WEEE number according to § 6 para. 3
ElektroG: 40951076

Safety warnings

- / Before initial operation, please make sure to follow all safety instructions that may be provided in the product information.
- / Never use these devices in applications where the safety of a person depends on their functionality.