

AY000185

Accessories • Optical sensors - Assembly

Accessories, mounting bracket, 54x50x39mm, bracket, stainless steel

including Screw, Washer



Sensor protection bracket for sensors design 43

Mechanical features

Width	39 mm
Height	50 mm
Length	54 mm
Mounting method	Screw mounting
Material	Stainless steel 1.4301

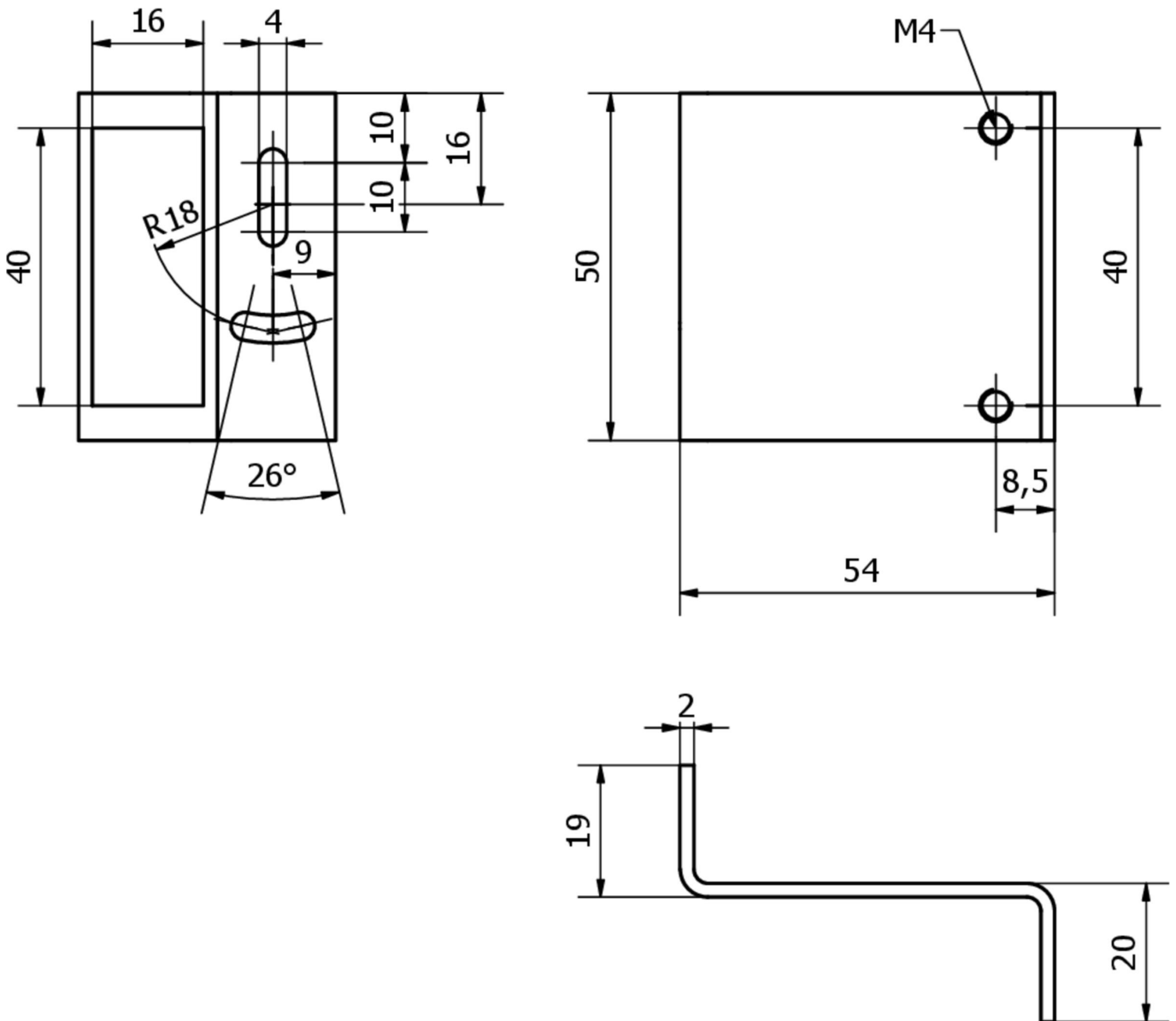
Classification

ETIM 8

More

IPF Product Group	900 accessories
packaging dimensions	120 x 70 x 40 mm
gross weight	61 g
Customs tariff number	73269098
WEEE number	40951076
Reach-compliant	Yes
RoHS-compliant	Yes

Dimensional drawing



Installation

Mounting / installation may only be carried out by a qualified electrician!



Disposal

WEEE number according to § 6 para. 3
ElektroG: 40951076

Safety warnings

- / Before initial operation, please make sure to follow all safety instructions that may be provided in the product information.
- / Never use these devices in applications where the safety of a person depends on their functionality.