

AY000188

Accessories • Optical sensors - Assembly

Accessories, mounting bracket, 57x32x34mm, bracket, stainless steel V2A

including Screw, Washer



The AY000188 is a mounting and protection bracket for various optical sensors with a mounting hole spacing of 25.4mm. The bracket has 4 through-hole bores with a diameter of 4.2mm on one side and 4 M3 threaded bores on the other. Two M3x10 or M3x20 cylinder head screws and four washers are included in the scope of delivery.

This means that sensors can be mounted with both threaded and through-hole boring. The bracket is made of 2 mm thick stainless steel sheet and is therefore not only used to mount the probe but also to protect it during running operation. The electrical connection of the sensor should be made before mounting, as the union nut of the cable socket is no longer accessible in the mounted status.

Mechanical features

Width	34 mm
Diameter of screw-on mounting	3.8
Height	57 mm
Length	34 mm
Mounting method	Screw mounting
Material	Stainless steel (V2A)

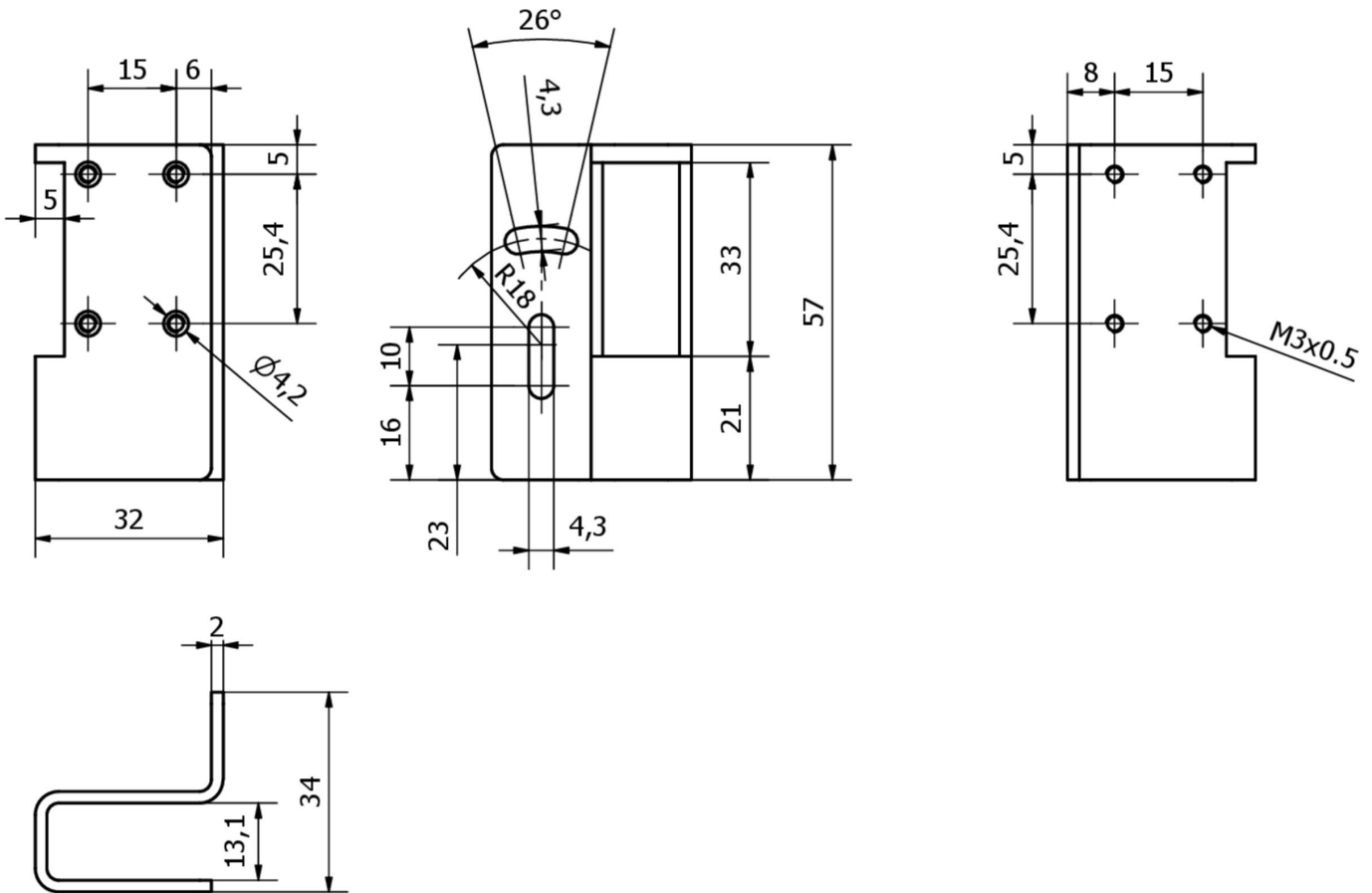
Classification

ETIM 8

More

IPF Product Group	900 accessories
packaging dimensions	170 x 120 x 36 mm
gross weight	71 g
Customs tariff number	73269098
WEEE number	40951076
Reach-compliant	Yes
RoHS-compliant	Yes

Dimensional drawing



Installation

Mounting / installation may only be carried out by a qualified electrician!



Disposal

WEEE number according to § 6 para. 3
ElektroG: 40951076

Safety warnings

/ Before initial operation, please make sure to follow all safety instructions that may be provided in the product information.

/ Never use these devices in applications where the safety of a person depends on their functionality.