

AY98A877

Accessories • Protection cap

accessories sensor, Teflon cap, M18 10long, Polytetrafluorethylene (PTFE)



Mechanical features

Length	10 mm
Material	Polytetrafluorethylene (PTFE)
Thread dimension	M18

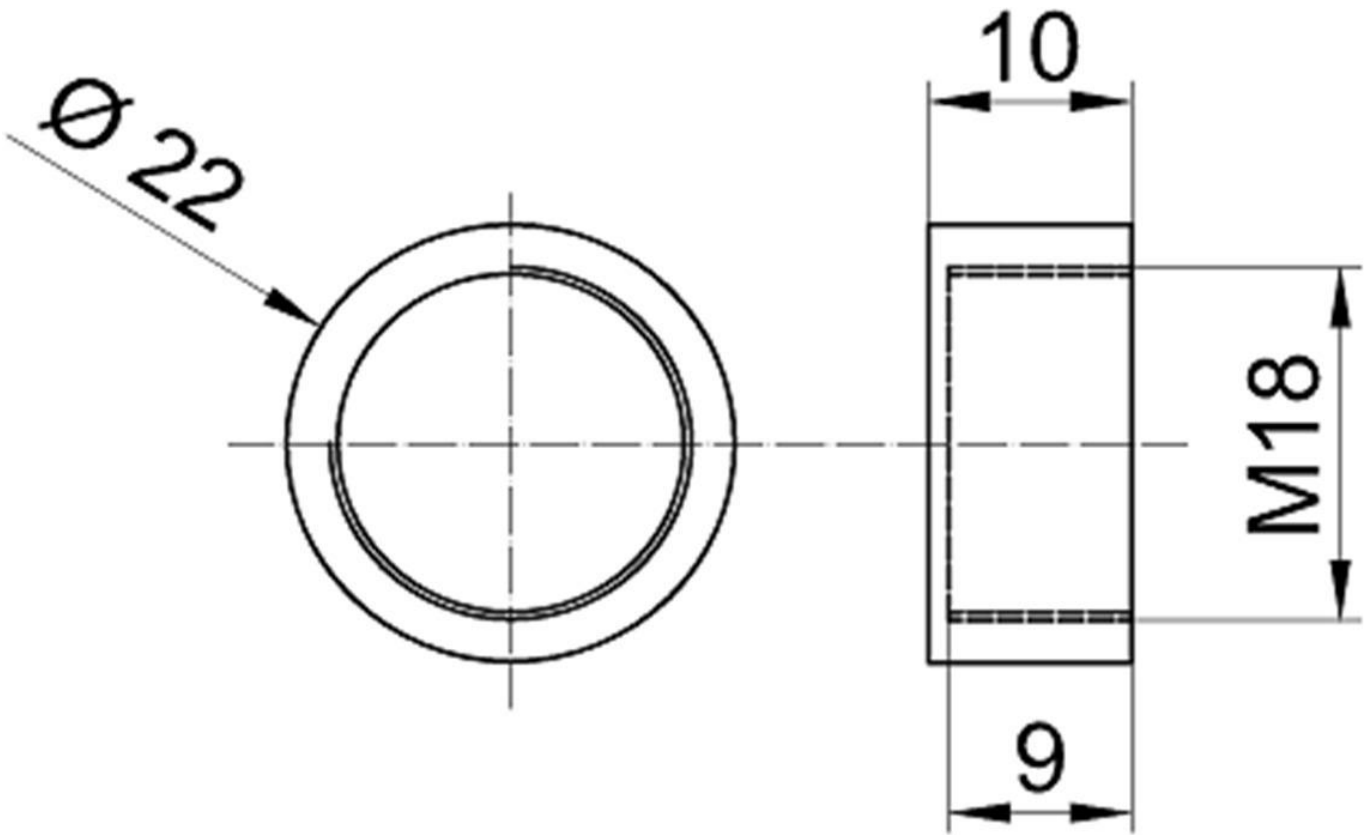
Classification

ETIM 8	EC002024 Accessories/spare parts for command devices
--------	--

More

IPF Product Group	900 accessories
packaging dimensions	120 x 100 x 10 mm
gross weight	4 g
Customs tariff number	39239000
WEEE number	40951076
OzDS-compliant	Yes
POP-compliant	Yes
Reach-compliant	Yes
RoHS-compliant	Yes

Dimensional drawing



Installation

Mounting / installation may only be carried out by a qualified electrician!



Disposal

WEEE number according to § 6 para. 3
ElektroG: 40951076

Safety warnings

- / Before initial operation, please make sure to follow all safety instructions that may be provided in the product information.
- / Never use these devices in applications where the safety of a person depends on their functionality.