

## AY98C920

### stop tappet • Stop tappets

Accessories Sensor, limit stop, M8x1 56long, stainl. steel, return spring force 1N, plunger

including Nut



The stop tappet system is ideal when contactless inquiry is not possible or can be prevented. The movement absorbed via the actuating element is guided through the housing via a shaft and pushes out a metal surface on the other side, which can be detected by an inductive sensor. This enables fully electronic inquiry without the risk of damaging the sensor. The actuating element is returned via a spring and a stroke limiter prevents contact with the sensor. The complete system includes a suitable holder as a connecting piece to a separate sensor. The 56mm long AY98C920 made of stainless steel can withstand an actuating force of 1000N. An M8x1mm thread is cut into the housing for fastening.

#### Electrical features

Absolute repeat accuracy	0.01 mm
--------------------------	---------

#### Mechanical features

Thread length	40 mm
Thread pitch	1 mm
Length	56 mm
Wrench size	10 mm
Housing material	Stainless steel
Max. limit stop energy	1000.00 N
Limit stop stroke	1.00 mm
Operating force	1,00 N
Thread dimension	M8

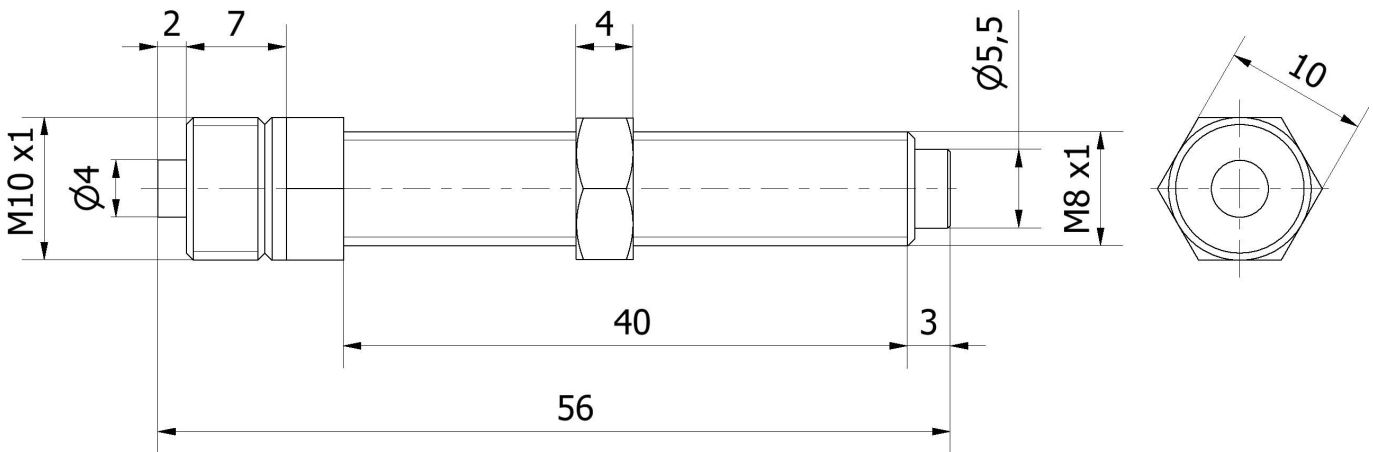
#### Classification

ETIM 8	EC002024 Accessories/spare parts for command devices
--------	--

**More**

IPF Product Group	900 accessories
packaging dimensions	120 x 100 x 10 mm
gross weight	20 g
Customs tariff number	73181900
WEEE number	40951076
Reach-compliant	Yes
RoHS-compliant	Yes

**Dimensional drawing**



**Extract accessories program**

**AY000029**



Accessories Sensor, holder, Ø6.  
5mm 20 long

**AY000030**



Accessories Sensor, holder,  
13x17x35mm, aluminum, left limit  
stop

**AY000162**



Accessories, magnetic, Ø43mm,  
neodymium-iron-boron, inside  
thread M5, rubber

**AY000159**



accessories sensor, Mounting  
pipe, Ø12mm 200long, Aluminum  
Anodised

You can find further accessories on our homepage



**Installation**

Mounting / installation may only be carried out by a qualified electrician!



**Disposal**

WEEE number according to § 6 para. 3  
ElektroG: 40951076

---

**Safety warnings**

- / Before initial operation, please make sure to follow all safety instructions that may be provided in the product information.
- / Never use these devices in applications where the safety of a person depends on their functionality.