

## BA09A227

### Measuring transducer • Display

Measuring transducer, Display, 24x48mm, 0-10V/4-20mA / 0 ... 20 mA, 5 Digits, 10-30V DC, Clamp, IP20, LED



#### Electrical features

|   |                               |
|---|-------------------------------|
| Response/decay time                           | 500 ms                        |
| Number of decades                             | 5                             |
| Display                                       | TFT display   LED display     |
| Type of analog input                          | 0 - 20mA   0 - 10V   4 - 20mA |
| Type of electrical connection                 | Clamped terminal connection   |
| Digital resolution                            | 14 bit                        |
| Setting procedure                             | Parameterization              |
| Relative linearity deviation                  | 0.01 %                        |
| Temperature drift over entire measuring range | 0.1 %                         |
| Resistance of current input                   | 100 Ohm                       |
| Resistance of voltage input                   | 1000 kOhm                     |
| Operating voltage (DC)                        | 10 - 30 V                     |

#### Mechanical features

|                                       |                |
|---------------------------------------|----------------|
| Width                                 | 24 mm          |
| Height                                | 48 mm          |
| Storage temperature                   | -25 - 70 °C    |
| Mounting method                       | Panel mounting |
| Degree of protection (IP)             | IP20           |
| Degree of protection (IP), front side | IP65           |
| Ambient temperature                   | -10 - 50 °C    |

#### Other features

|                               |        |
|-------------------------------|--------|
| Relative measurement accuracy | 0.03 % |
|-------------------------------|--------|

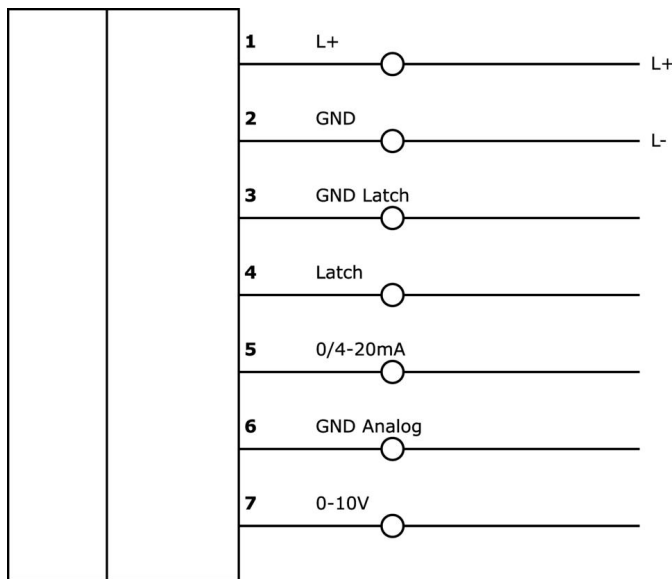
#### Classification

|        |                             |
|--------|-----------------------------|
| ETIM 8 | EC002475 Current transducer |
|--------|-----------------------------|

**More**

|                       |                          |
|-----------------------|--------------------------|
| IPF Product Group     | 550 measuring transducer |
| packaging dimensions  | 125 x 70 x 40 mm         |
| gross weight          | 90 g                     |
| Customs tariff number | 85437090                 |
| WEEE number           | 40951076                 |
| Reach-compliant       | Yes                      |
| RoHS-compliant        | Yes                      |

**Connection**



**Installation**

Mounting / installation may only be carried out by a qualified electrician!



**Disposal**

WEEE number according to § 6 para. 3  
ElektroG: 40951076

**Safety warnings**

/ Before initial operation, please make sure to follow all safety instructions that may be provided in the product information.

/ Never use these devices in applications where the safety of a person depends on their functionality.