

BA565900

Measuring transducer • DIN rail mounting

Measuring transducer, Analog / digital, 99x114x22mm, 0-10V/4-20mA / 0 ... 20 mA, 20-253V AC, 20-253V DC, -40-70°C, Relay contact, Clamp, IP20, Plastic PC



Electrical features

Type of analog input	0 - 20mA 0 - 10V 4 - 20mA
Type of electrical connection	Clamped terminal connection
Type of switching output	Relay contact
Setting procedure	Jumper
Short-circuit protection	Yes
Power consumption	1.75 VA
Max. continuous current	6 A
Max. switching current	10 A
Reverse polarity protection	Yes
Resistance of current input	50 Ohm
Resistance of voltage input	100 kOhm
Operating voltage (AC 50Hz)	20 - 253 V
Operating voltage (DC)	20 - 253 V
Suitable as 2-point control	Yes
Output functions	Switching point valControl de dos puntos

Mechanical features

Width	22.5 mm
Height	99 mm
Storage temperature	-40 - 100 °C
Length	114 mm
Mounting method	Top hat rail
Degree of protection (IP)	IP20
Housing material	Plastic PC
Ambient temperature	-40 - 70 °C

Other features

Relative measurement accuracy	0.4 %
-------------------------------	-------

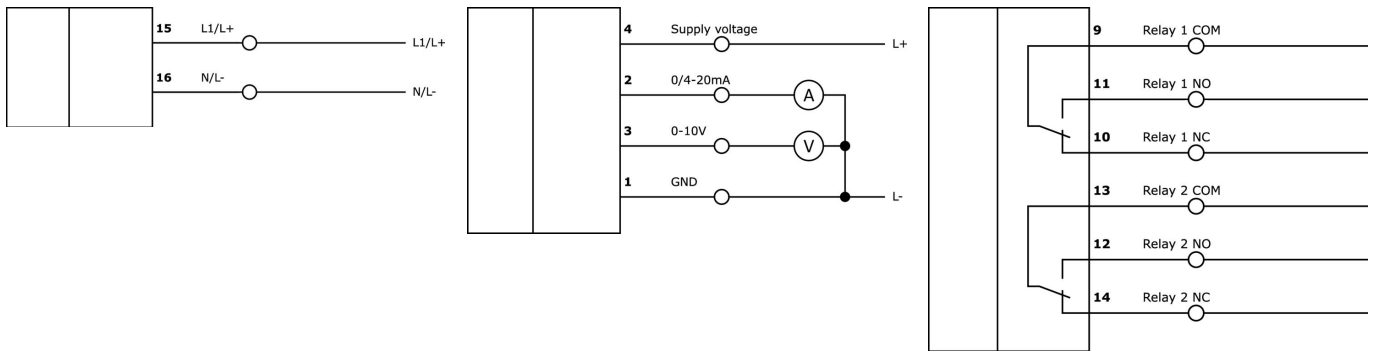
Classification

ETIM 8	EC002475 Current transducer
--------	-----------------------------

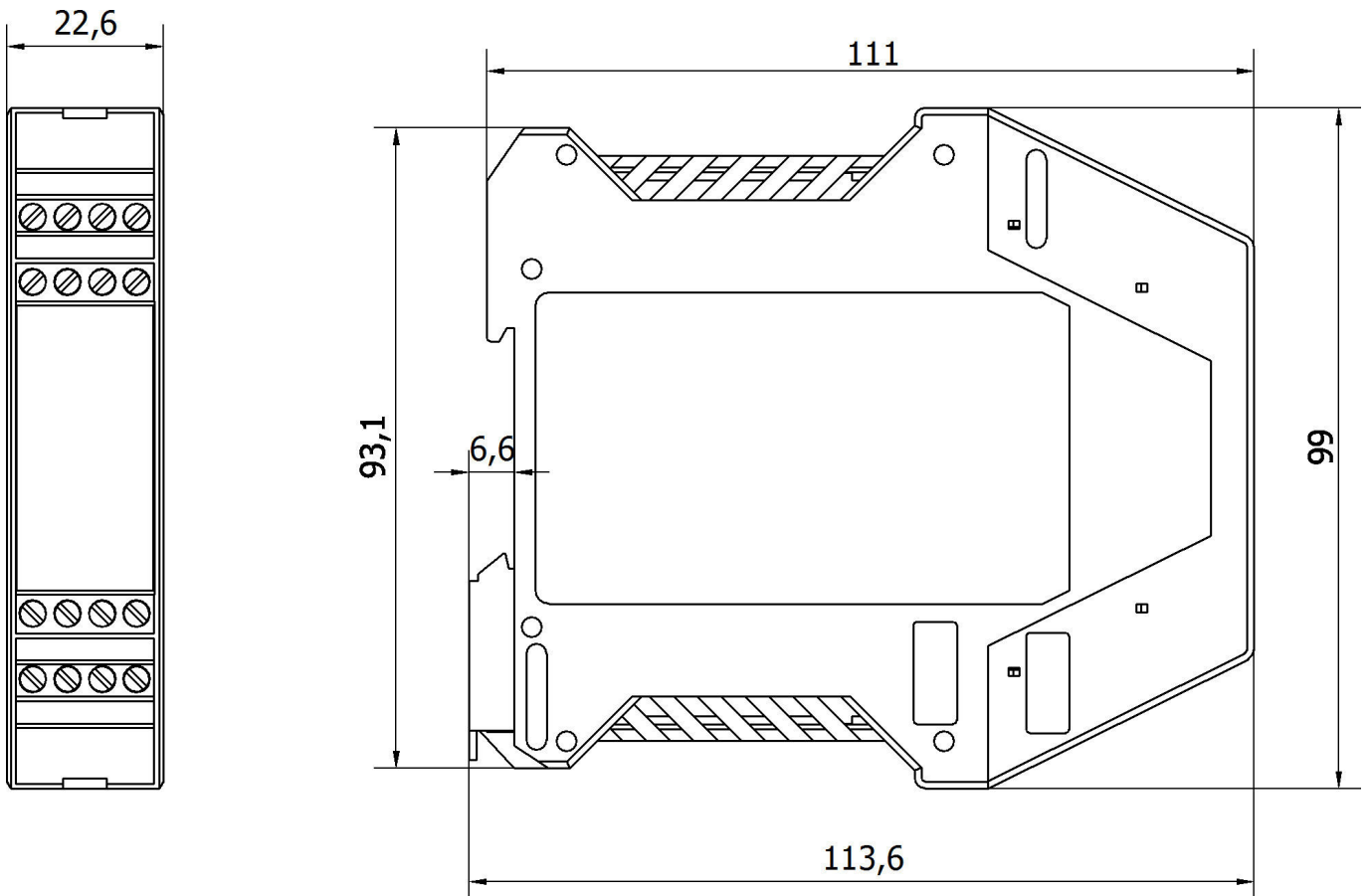
More

IPF Product Group	550 measuring transducer
packaging dimensions	149 x 124 x 28 mm
gross weight	170 g
Customs tariff number	85437090
WEEE number	40951076
Reach-compliant	Yes
RoHS-compliant	Yes
MTTF value	274 year(s)

Connection



Dimensional drawing



**Installation**

Mounting / installation may only be carried out by a qualified electrician!

**Disposal**

WEEE number according to § 6 para. 3
ElektroG: 40951076

Safety warnings

- / Before initial operation, please make sure to follow all safety instructions that may be provided in the product information.
- / Never use these devices in applications where the safety of a person depends on their functionality.