

# CI095410

## Counter • Pulse counter

counter pulse, 24x54x48mm, Display LCD, 0.03kHz, 10-260V AC, 10-260V DC, Screw connection 8pin, IP65, Plastic, Adding, Background lighting of LC display, Display range -9999999-9999999

including Sealing ring



In industrial applications, counting, adding / subtracting of pulses, measuring paths or detecting times are common task areas. However, the use of a PLC is not worthwhile evaluating one or two sensors only. In this case, the multi-function encounters of ipf electronic are a good alternative. Various evaluation variants, amongst others frequency meters, sum counters, time relays, tachometers or wear / maintenance counters enable the use in a variety of applications. The batch counter or total sums function also make more complex tasks possible. The integrated front keypad can conveniently be used to program a pre-selection value or the signal evaluation mode for the operation of a linear measurement system or a rotary encoder.

### Electrical features

Display	LCD display (illuminated)
Display range, increments	-9999999 - 9999999
Type of electrical connection	Clamped terminal connection
Number of pins	8
Counting frequency	12 kHz

### Mechanical features

Width	48 mm
Installation depth	48 mm
Height	24 mm
Storage temperature	70 °C
Length	53.5 mm
Mounting method	Panel mounting
Degree of protection (IP)	IP65
Housing material	Plastic
Ambient temperature	-10 - 60 °C

### Other features

Relative air humidity (non-condensing)	80 %
counting functions	adding

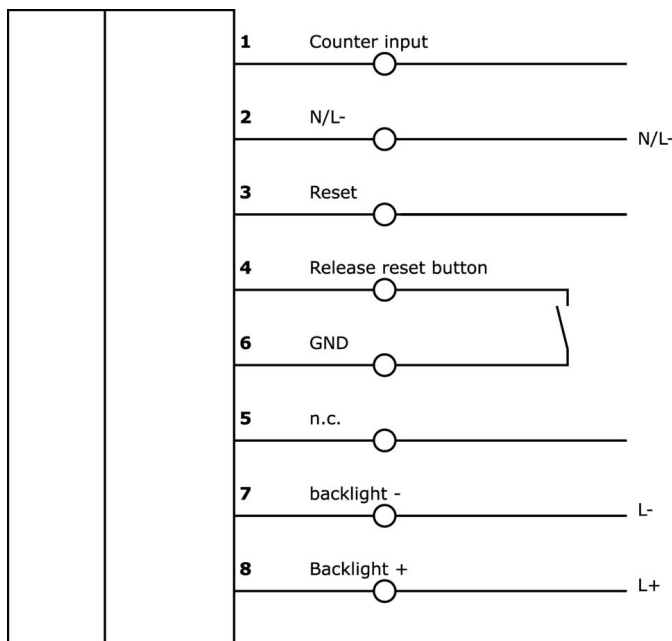
### Classification

ETIM 8	EC002300 Built-in pulse counter
--------	---------------------------------

**More**

IPF Product Group	500 counters
packaging dimensions	110 x 90 x 33 mm
gross weight	70 g
Customs tariff number	90291000
WEEE number	40951076
OzDS-compliant	Yes
POP-compliant	Yes
Reach-compliant	Yes
RoHS-compliant	Yes

**Connection**



**Installation**

Mounting / installation may only be carried out by a qualified electrician!



**Disposal**

WEEE number according to § 6 para. 3 ElektroG: 40951076

**Safety warnings**

/ Before initial operation, please make sure to follow all safety instructions that may be provided in the product information.

/ Never use these devices in applications where the safety of a person depends on their functionality.