

CI200120

Counter • Pulse counter

counter pulse, 60mm long, 10kHz, 1x preset, 10-30V DC, 1x PNP NO (NO), Connector M12 4pin, IP67, Plastic, Adding



In industrial applications, counting, adding / subtracting of pulses, measuring paths or detecting times are common task areas. However, the use of a PLC is not worthwhile evaluating one or two sensors only. In this case, the multi-function encounters of ipf electronic are a good alternative. Various evaluation variants, amongst others frequency meters, sum counters, time relays, tachometers or wear / maintenance counters enable the use in a variety of applications. The batch counter or total sums function also make more complex tasks possible. The integrated front keypad can conveniently be used to program a pre-selection value or the signal evaluation mode for the operation of a linear measurement system or a rotary encoder.

Electrical features

Response/decay time	0 ms
Number of presets to be set	1
Number of switching outputs	1
Type of switching function	Normally open contact (NO)
Type of electrical connection	Connector M12
Type of switching output	PNP
Type of A electrical connection	M12
Type of B electrical connection	M12
Rated switching current	150 mA
No-load current	10 mA
Number of pins	4
1. output voltage at DC	10 - 30 V
Counting frequency	10 kHz
Operating voltage (DC)	10 - 30 V

Mechanical features

Storage temperature	-20 - 60 °C
Length	60 mm
Degree of protection (IP)	IP67
Housing material	Plastic
Ambient temperature	0 - 60 °C

Other features

counting functions	adding
--------------------	--------

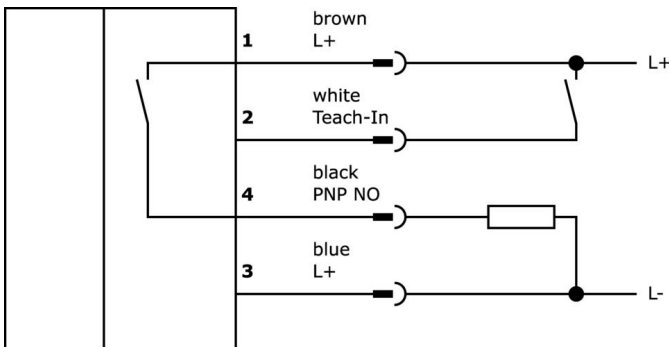
Classification

ETIM 8	EC002300 Built-in pulse counter
--------	---------------------------------

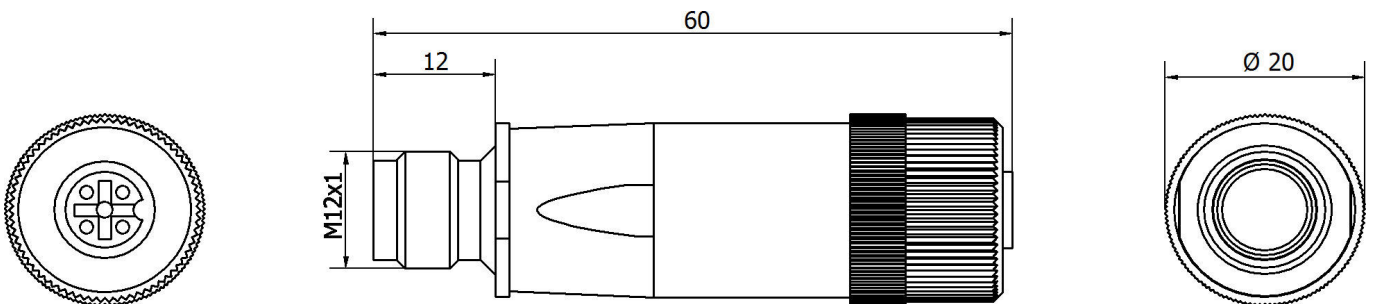
More

IPF Product Group	500 counters
packaging dimensions	91 x 60 x 30 mm
gross weight	27 g
Customs tariff number	90291000
WEEE number	40951076
OzDS-compliant	Yes
POP-compliant	Yes
Reach-compliant	Yes
RoHS-compliant	Yes

Connection



Dimensional drawing



Extract accessories program

VK030F21



Connection cable, 0.3m, M12 socket 4-pin angular, M12 connector 4-pin straight, 4x0.34mm², 240V, IP67, suitable for trailing chain and torsion resistant, oils and cooling lubricants, welding area, silicone-free

VK030F25



Connection cable, 0.3m, M12 socket 4-pin straight, M12 connector 4-pin straight, 4x0.34mm², PUR (polyurethane), 240V, IP67, suitable for trailing chain and torsion resistant, oils and cooling lubricants, welding area, silicone-free

VK200321



Connection cable, 2m, M12 Female (socket) 4pin Angular, Free conductor end, 4x0.34mm², PUR (Polyurethane), Ø4.7mm, 250V, -40-90°C, IP67, Suitable for trailing chain and torsion resistant, Oil and cooling lubricants, Welding area, Silicone-free

VK200325



Connection cable, 2m, M12 Female (socket) 4pin Straight, Free conductor end, 4x0.34mm², PUR (Polyurethane), Ø4.7mm, 250V, -40-90°C, IP67, Suitable for trailing chain and torsion resistant, Oil and cooling lubricants, Welding area, Silicone-free

You can find further accessories on our homepage



Installation

Mounting / installation may only be carried out by a qualified electrician!



Disposal

WEEE number according to § 6 para. 3 ElektroG: 40951076

Safety warnings

/ Before initial operation, please make sure to follow all safety instructions that may be provided in the product information.

/ Never use these devices in applications where the safety of a person depends on their functionality.