

DT16410J

Pressure sensors • Pressure transmitter

Pressure transmitter, Ø16mm, 45 long, -1-1bar, 9-30V DC, G1/8 "A, 4-20mA, M8 plug connector 4-pin, IP67, stainless steel V2A



Compact design LABS-free

The DT16 series pressure transmitters in stainless steel housing (protection class IP67) with G1/8" process connection are very lightweight, compact devices for a wide range of pressure and vacuum applications in handling and automation systems. The measuring cell is suitable for filtered, dry or lubricated compressed air, making the pressure transmitters ideal for pneumatic applications in robotics, for example. The materials used in production are free from so-called "paint wetting impairment substances" (LABS) such as silicones or fluorine-containing substances.

Advantages

- Particularly compact (L: 44.5mm, Ø 15.5mm) and lightweight (25g)
- Analog output 4...20mA (overall accuracy ±0.5%, repeat accuracy ±0.2%)
- Free from "paint wetting impairment substances" (LABS)

Electrical features

Type of analog output	4 - 20mA
Type of electrical connection	Connector M8
Measuring range pressure	-1 - 1 bar
Measurement method	Relative
Number of pins	4
Relative linearity deviation	0.5 %
Relative repeat accuracy	0.2 %
Temperature drift over entire measuring range	1.5 %
Operating voltage (DC)	9 - 30 V
Electrical connection	M8 4-pin plug connector
Operating voltage	9-30VDC
ardTEEL_Schutzfunktionen	Short circuit protection Reverse polarity protection

Mechanical features

Type of process connection	G1/8 inch
Design	Cylinder plain
Diameter	15.5 mm
Thread length	7 mm
Length	44.5 mm
Max. operating pressure	2 bar
Medium temperature	0 - 80 °C
Wrench size	16 mm
Degree of protection (IP)	IP67
Housing material	Stainless steel 1.4305
Long-term drift per year	0.1 %
Ambient temperature	-25 - 85 °C
dimensions	Ø15.5mm, 44.5mm long
Material of the process connection	Nickel-plated (n-pltd) brass
Material of the measuring cell	Silicon (piezoresistive)
ardTEME_Werkstoffeigenschaften	LABS-frei

Other features

Relative air humidity (non-condensing)	30 - 85 %
Reference medium / object	Air
ardTE00_Anwendungen	Pneumatic applications

Classification

ETIM 8	
--------	--

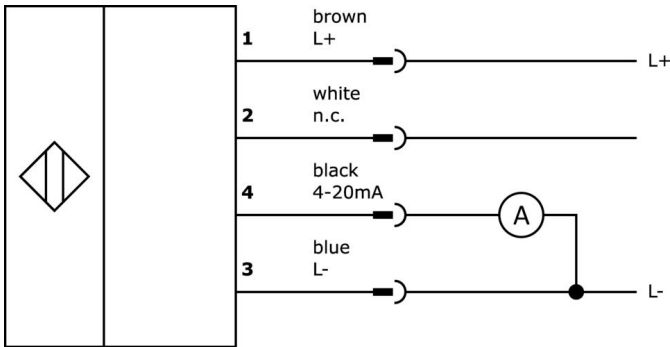
More

IPF Product Group	361 pressure sensors (diverse)
packaging dimensions	105 x 43 x 43 mm
gross weight	43 g
Customs tariff number	90262020
WEEE number	40951076
Reach-compliant	Yes
RoHS-compliant	Yes
MTTF value	2176 year(s)

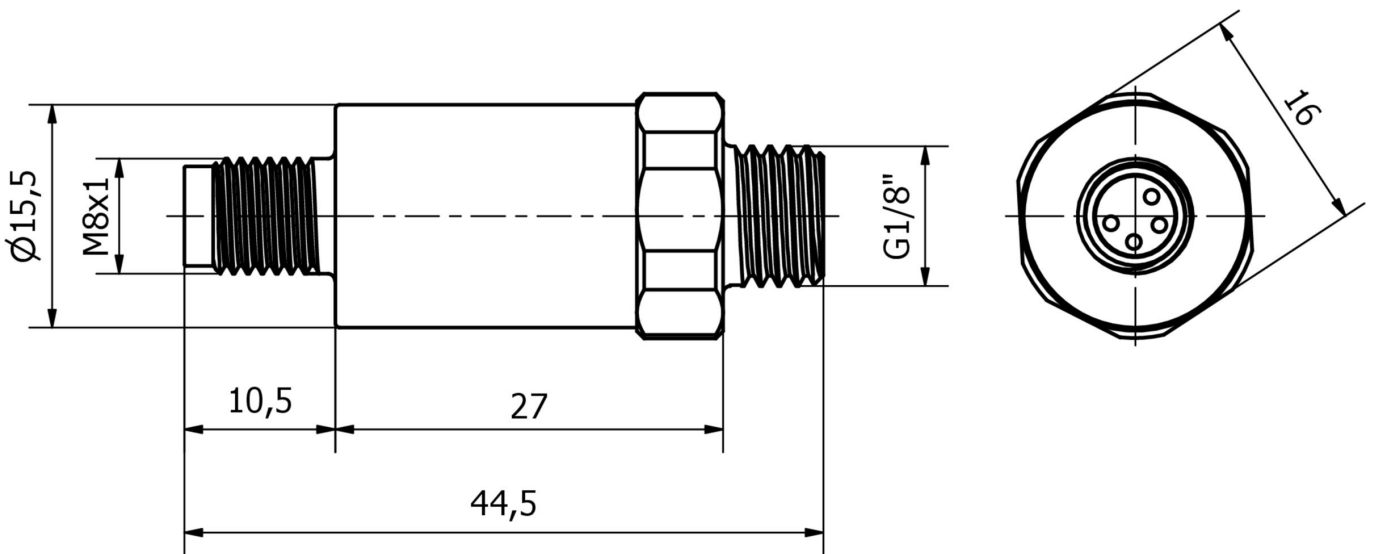
Important notes

- / Installation position Any (connection to pressure system with fan facing downwards)

Connection



Dimensional drawing



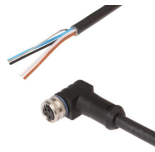
Extract accessories program

VK205375



Connection cable, 2m, M8 socket 4-pin straight, free cable end, 4x0.34mm², PUR (polyurethane), Ø5.5mm, 60V, -25-90°C, IP67, shielded, suitable for trailing chain and torsion resistant, oils and cooling lubricants, welding area, silicone-free

VK505371



Connection cable, 5m, M8 socket 4-pin angular, free cable end, 4x0.34mm², PUR (polyurethane), Ø5.5mm, 60V, -25-90°C, IP67, shielded, suitable for trailing chain and torsion resistant, oils and cooling lubricants, welding range, silicone-free

VK003071



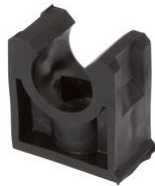
Cable socket, Angular, Suitable for self-assembly, Soldering connection, Ø3.5-5mm, 4A, 30V, -40-85°C, M8 Female (socket) 4pin, IP67, Brass

VK003075



Cable socket, Straight, Suitable for self-assembly, Soldering connection, Ø3.5-5mm, 4A, 30V, -40-85°C, M8 Female (socket) 4pin, IP67, Brass

AD000014



accessories pressure, Quick clip, 30x22x16mm, Holder, Plastic, 90°

AD000015



accessories pressure, Mounting bracket with adapter flange, 44x16x31mm, Adaption, mounting material and bracket, External thread 1/8" - 4mm, Steel, 90°

AD000022



Pressure accessories, adapter, G1/8, 15 long, nickel-plated (n-pltd) brass

AD000021



Pressure accessories, profile seal G1/8", Ø11.9mm 1.0 high, fluorocarbon rubber FKM, green

You can find further accessories on our homepage



Installation

Mounting / installation may only be carried out by a qualified electrician!



Disposal

WEEE number according to § 6 para. 3 ElektroG: 40951076

Safety warnings

/ Before initial operation, please make sure to follow all safety instructions that may be provided in the product information.

/ Never use these devices in applications where the safety of a person depends on their functionality.